



MILLEN

USER MANUAL

РУКОВОДСТВО ПО ЭКСПЛУАТАЦИИ

MBI470SDMaxPro

EN REFRIGERATOR

RU ВСТРАИВАЕМЫЙ  
ХОЛОДИЛЬНИК



Made in China

English.....	3
Русский.....	86

Important information about installation and connection..... 4

Installation guide ..... 19

Safety information ..... 64

Important instructions regarding safety and environment ..... 67

Storage features ..... 72

Display panel ..... 73

Before using the refrigerator ..... 75

Equipment..... 77

Care and cleaning ..... 80




Replacement of the water filter ..... 82

Trouble shooting ..... 83

## Important information about installation and connection

### Symbols and their meanings

Symbols used in the installation manual are as follows.

	<b>Note:</b> Important information or useful usage tips.
	<b>Warning:</b> Conditions that may damage the product or its operating functions.
	<b>Attention:</b> Conditions containing serious injury risk.

### Disposing the packaging materials

The package has been designed to protect the product during transport.

The packaging materials used for the product do not harm the nature during disposal and they need to be recycled.

All plastic packaging materials, bags etc. must be disposed safely and kept out of the reach of children. Please return the packaging to your dealer.



#### **Warning**

This installation manual has been prepared to help installation teams. The User Manual provided with the product must also be taken into consideration.

You may get seriously injured and your product may get damaged if you ignore the warnings given in this manual. Please read the following carefully.





## Warning

### R-600a Refrigerant

This product contains R-600a isobutane refrigerant, which is a very eco-friendly natural gas. However, it is also flammable. Please follow the warnings given below:

- If the product has been transported horizontally, you must wait for 4 hours minimum before plugging it in.
- The following instructions must be followed during installation.
- Dimensions of the installation area must be suitable.
- Dimensions, features and position of the object used to support and fix the product to this area must be suitable.
- Minimum clearances between product parts and surrounding structures must be suitable.
- Minimum dimensions and proper organization of ventilation holes must be observed.
- The product must be connected to the mains power, and corresponding connections of other components must be suitable.
- The product must be disconnectable from the power supply after installation.
- The socket or fuse must be accessible to de-energise the product.
- Extension cables or ungrounded (two-terminal) adapters must not be used.



## Attention

You must wear gloves and eye protectors when installing the product.  
You must also take measures against high noise levels when drilling the floor or using a drill.

Make sure that your product is suitable for your local mains.

The product must be installed by a qualified technician according to the installation instructions.



## Warning

The product may tip over since it is quite heavy. For this reason, precautions must be taken against tipping over.

The doors of the product must be kept closed until it reaches the destination and it must be transported in accordance with the installation instructions.

**Max load bearing capacity of the door bins: 55 lbs (25 kg).**

## Installation place

### You must follow the instructions below:

- The floor on which the product will be installed must be capable of bearing **1,200 pounds (544 kg) minimum**.
- Kitchen floor and the bottom of the product must be at the same level. Otherwise, problems may occur with the air suction of the product.
- There must be no objects preventing the installation of the product at the back and on the side walls of the product's installation place.
- The power socket must be at the correct place.
- Dimensions of the furniture where the product will be installed must be in strict conformity with the dimensions given in the manual.
- Do not install the product with the fridge and the freezer are adherent next to each other. Otherwise, condensation and damage may occur in the product. (Please see „Dual Cabin Installation“ for detailed information).
- Flatness of the floor where the product will be installed must be checked with a bubble level tool.
- Installation area must not be subjected to direct sunlight and it must be away from heat sources, ovens, radiators etc.
- The ambient temperature must be between **55 °F (13 °C)** and **110 °F (43 °C)**. Otherwise, function errors may arise when the product is running.
- If it is not possible to avoid installing the product near a heat source, the minimum clearances given below must be maintained between the product and the said source:
  - **1¼“ (3 cm)** from *electric hobs or ovens*.
  - **12“ (30 cm)** from *gas or fuel operated hobs or ovens*.

### Please observe the following rules:

- The power socket or fuse must be easily accessible in case of an emergency; it must not be hidden behind the product.
- Plug or cable must not touch the back surface of the product. Otherwise, it may get damaged due to the vibration of the product.
- Do not connect the plugs of other appliances behind this product. If the humidity level is high where the product is used, corrosion may be seen on the outer surface of the product. Keep the installation room dry and well-cleaned to avoid corrosion.

### To avoid the risk of electric shock:

- Connect the plug to a grounded **3-pin socket**.
- Do not remove the ground terminal of the plug.
- Do not use adapters.
- Do not use extension cables.



### Attention

Failure to follow these instructions may result in death, fire or electric shock. Connecting the grounding conductor of the equipment to an improper place may lead to electric shock. Please have the grounding checked by a qualified electrician or service technician if you have any doubt about the proper grounding of the product.

Installation, repair and other procedures performed by unqualified persons may cause danger. Before installing the appliance, make sure that the voltage, load and circuit current parameters on the data plate are in compliance with the power mains in your house.

The appliance is provided with a NEMA 5-15 P plug and a 3-pin power cable which is in the UL list and ready to be connected to a 120 V, 60 Hz power supply. Fuse is 15 A. The appliance must be connected to a 3-pin socket. The plug must be installed only by a licensed electrician.

If the electrical wiring or the electric power supply of the house needs alteration, the necessary procedures must be performed by a qualified electrician.

Do not install your refrigerator:

- In open areas.
- In environments where water is dripping.
- In environments where temperature is lower than 55 °F (0 °C).

### Furniture:

Make sure that the furniture where you will install the appliance has been safely mounted in your kitchen. Your furniture must be connected to the floor and the wall properly and with suitable connections.

For the best installation, clearances between the furniture and the product must be in compliance with the values specified in the installation instructions.

Side walls must be free of clearances and their surfaces must be flat. Minimum thickness of the side walls must be  $\frac{5}{8}$ " (**16 mm**). Minimum thickness of the doors to be attached to the product must be  $\frac{3}{4}$ " (**19 mm**).



### Attention

There is a stainless steel door and stainless kick plate option. Please consult the authored service.

### Ventilation:

Vent holes where the air enters and exits the unit must not be blocked or obstructed. In addition, you must periodically clean the dust and dirt that accumulate on these holes in time.

### Electrical Connection:

- Never use an extension cable.
- The power socket must definitely be grounded and checked by an authorized person.
- Location of the electrical wiring must comply with the dimensions specified in the manual.



### Attention

#### Risk of electric shock

Electrical grounding is necessary. This appliance is equipped with a three-pin plug to protect you against possible electric shocks.

- Do not remove the round grounding terminal from the plug.
- Do not use two-pin grounding adapters.
- Do not use extension cables to energize the product.

Do not connect the grounding cable to the gas pipe. Please have the grounding checked by a qualified electrician if you are not sure about the grounding of the product. Do not install a fuse on the neutral line or grounding circuit.



### Warning

Please wait for 3–6 hour before energizing the product to protect it against possible damages. This way, the refrigerant and the lubricants in the system get balanced.

### Water connection:

- Pressure of the mains water must be in compliance with the values specified in the manual.
- Location of the water system must comply with the dimensions specified in the manual.



### Note

Bypass is recommended for the water filtering system if a reverse osmosis system is used.

## Tool list

Tools to be used when installing the product are as follows:



Cordless drill



Safety goggles



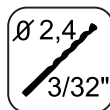
1/2"  
Wrench



Hammer



Ladder



Ø 2,4  
Drill bit



Ø 8  
Drill bit



Box  
cutter



Safety  
gloves



Tape  
measure



Star  
bit



1/4"  
Wrench  
flat



Bubble  
level tool



Wheelbarrow

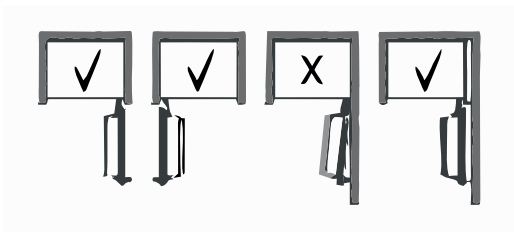


Tape

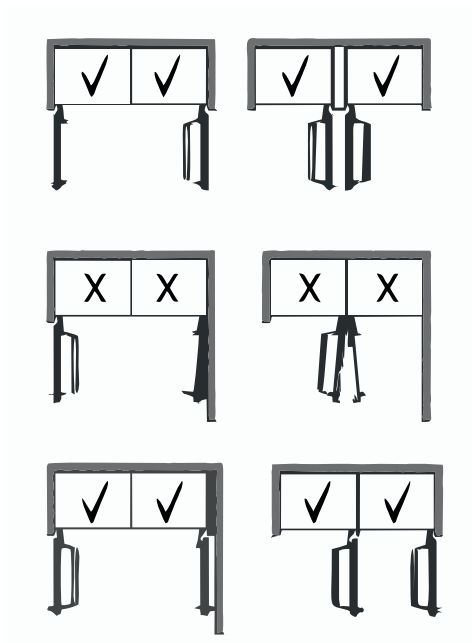
## Alternatives for installation

The product can be placed in various ways based on the kitchen design. It must be installed at a place where it is ensured that the door can be opened and closed properly. If the doors cannot be opened **90 degrees** at least, you cannot completely open the drawers inside the product.

– Single cabin placement methods.



– Dual cabin placement methods.



## Preparation for installation

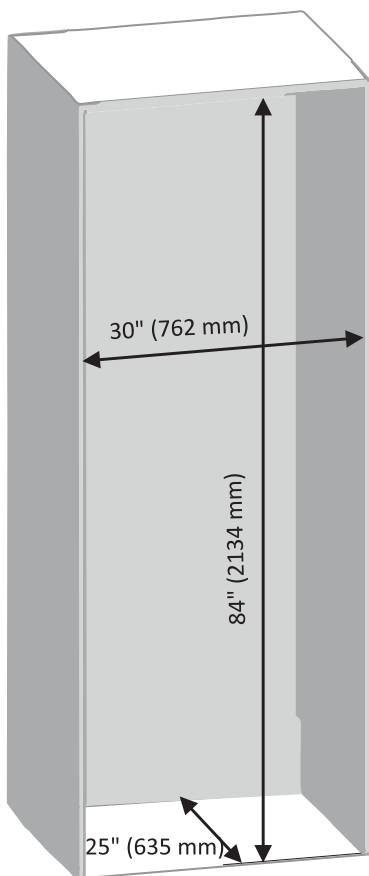
The instructions below have been prepared according to built-in type.

Built-in: the appliance and panels fully seat into the gap, and a material that can be their own box is jammed between the two kitchen cabinets or decorative columns.

This is the most common installation scenario.

## Cabin dimensions

– Cabin dimensions below must be checked before starting the installation.



## Location of the electrical wiring

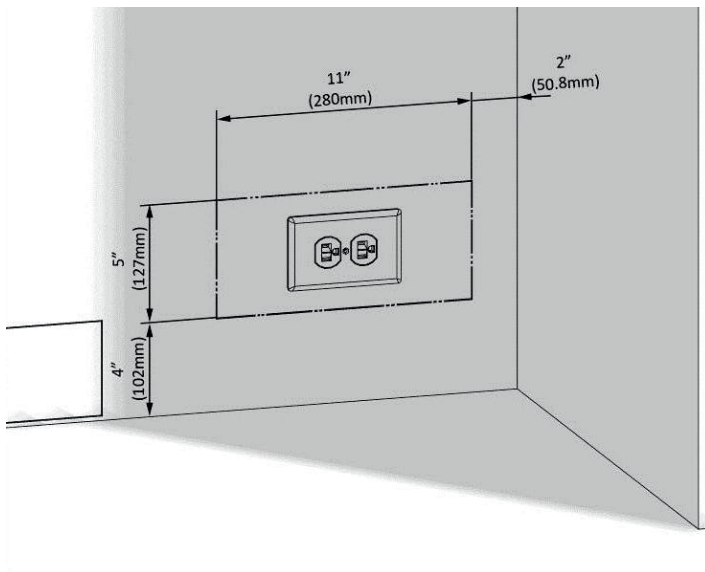
Location of the electrical wiring must be within the range given below.



### Attention

Do not use extension cables or two-pin adaptors and do not remove the ground terminal of the grounding cable.

A qualified electrician must ensure that the poles of the socket are connected correctly. Verify that the grounding of the socket is correct.



## Location of the water system

The water connected to the water mains must be potable.

Location of the water system must be within the range given below.

Water system of the refrigerator must be connected to the water mains system in the house. The user must be able to switch it on/off with the valve when necessary.



Objects that might pierce the water hoses or cause them to twist must not be present, where the water line is installed.

Pressure of the water system must be between **25–80 psi (1.7-5.5 Bar)**.

If the water pressure exceeds **80 psi**, install a pressure limiting device or water impact protector to the inlet valve. Never install the product or operate the appliance if it is possible for the water pressure to exceed **120 psi**.

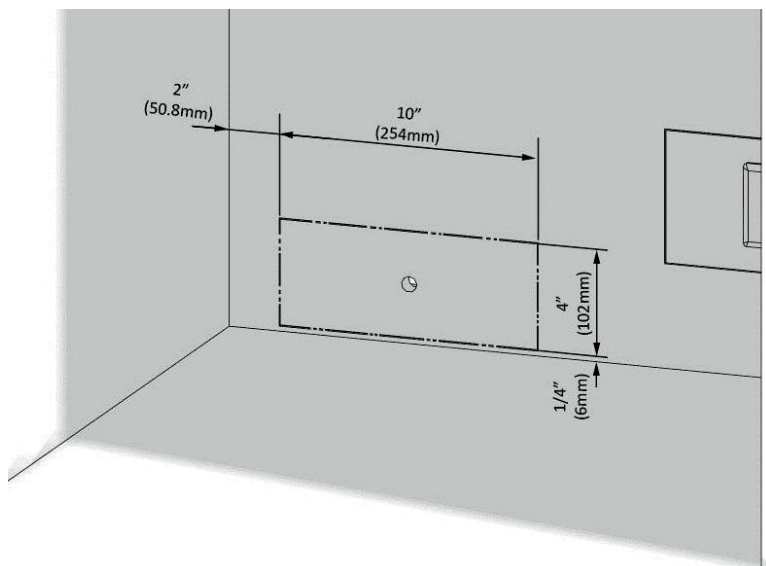


### Warning

Make sure that there is no water leakage when making the water connections. Otherwise, there will be water on the floor and the furniture will get damaged.

You will need a hose with a minimum length of 60" (1.5 meters) and a diameter of 1/4" for water connections of the product during installation.

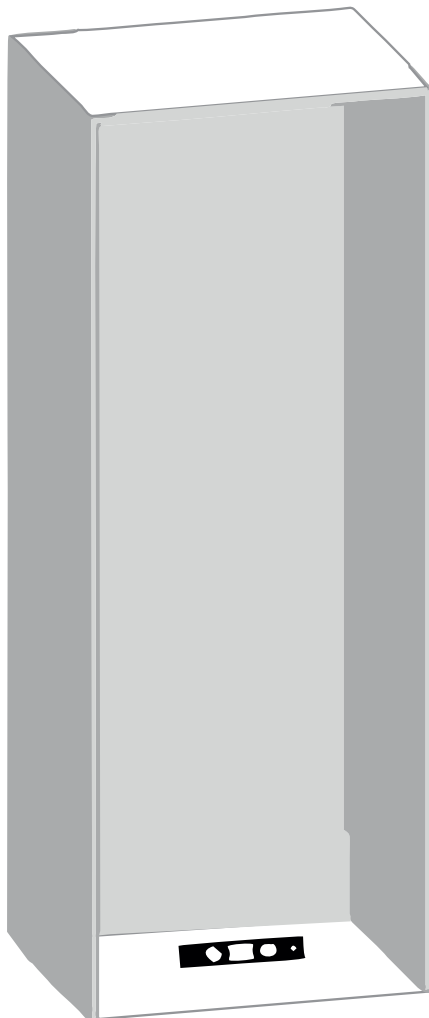
A connector that has a thread with an external diameter of 1/4" must be used to connect the hose end to the product. Before completing the installation, make sure that water flows and there is no water leakage.



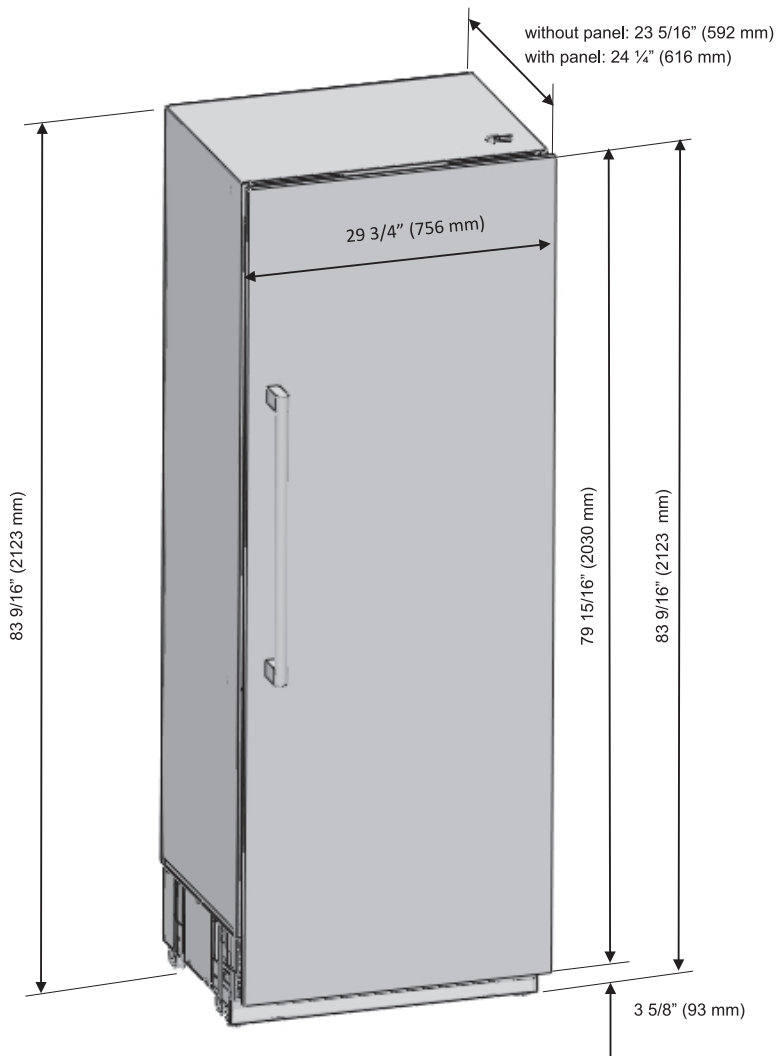


### Warning

- Flatness of the floor where the product will be installed must be checked with a bubble level tool.
- Uprightness of the furniture flanges must be checked with a bubble level tool.
- If the flatness and uprightness of the product is not proper, problems may arise with the installation.



Product dimensions

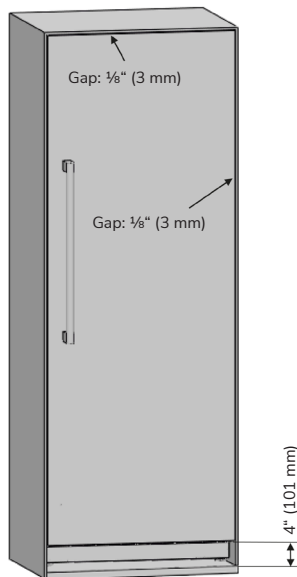
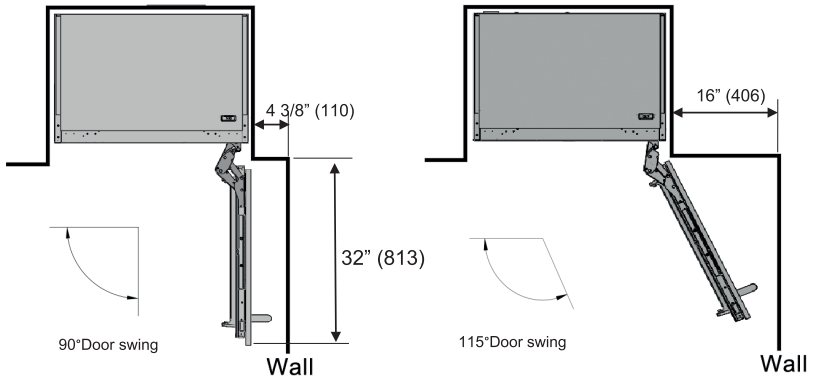


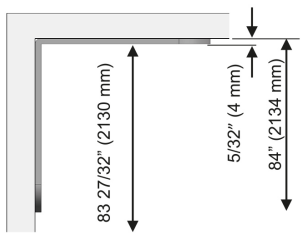
## Installation dimension

A: Depth of door (90° open) measured from front of door.

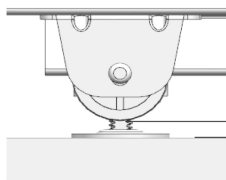
B: Minimum door clearance to adjacent wall (90° — reduced internal access).

C: Minimum door clearance to adjacent wall (115° — full internal access).

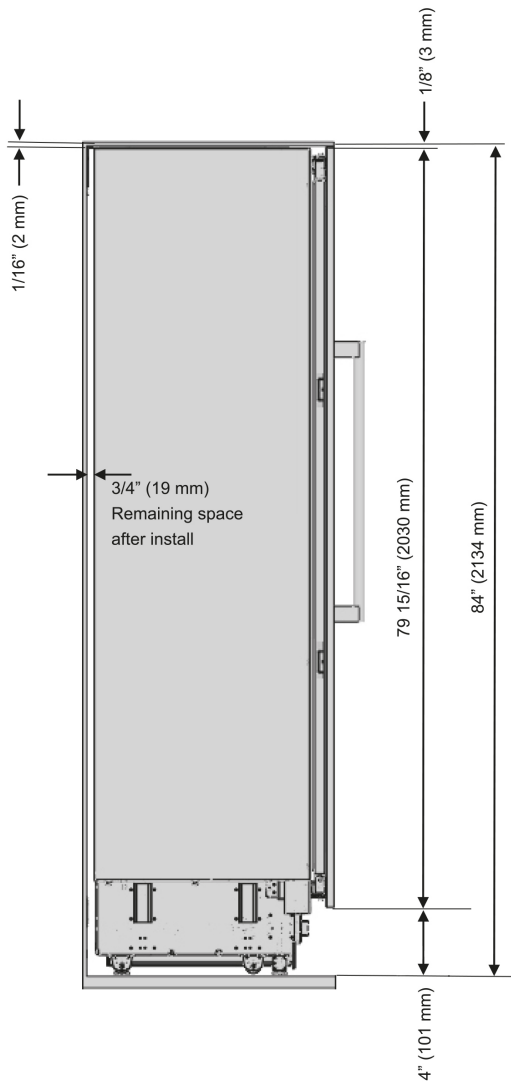




Anti tip bracket location



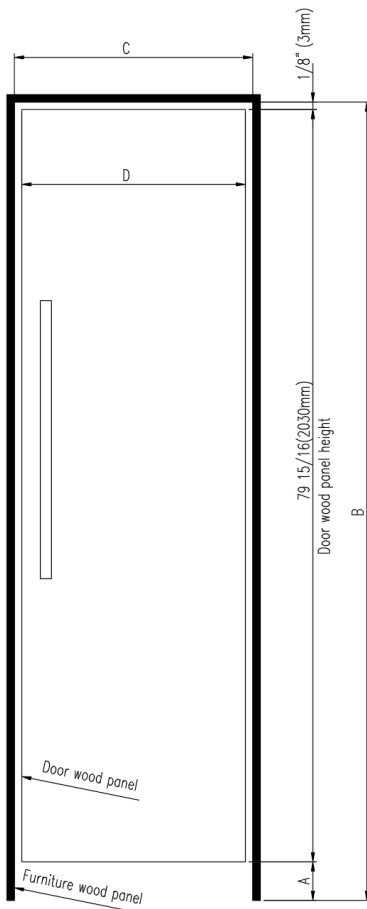
Minimum height adjustment for leveling



## Important information about installation and connection

Height of the kitchen countertop based on the min/max. height of the cabin:

	A	B
<b>Standard</b>	4" (101 mm)	84" (2134 mm)
<b>Minimum</b>	3 ¾" (96 mm)	83 13/16" (2129 mm)
<b>Maximum</b>	5 ⅜" (136 mm)	85 ⅜" (2169 mm)



<b>C</b>	30" (762 mm)
<b>D</b>	29 ¾" (756 mm)

## Installation guide

### Unpacking

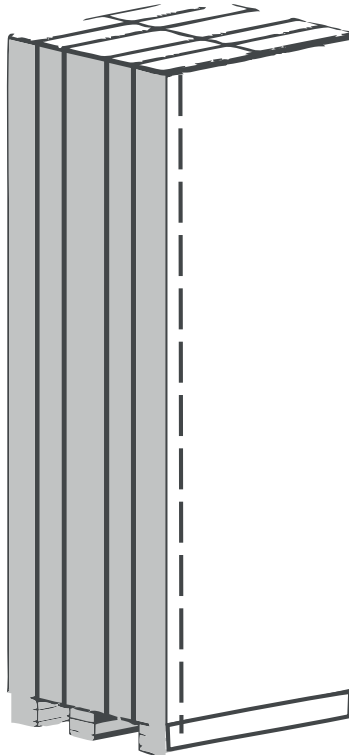


### Warning

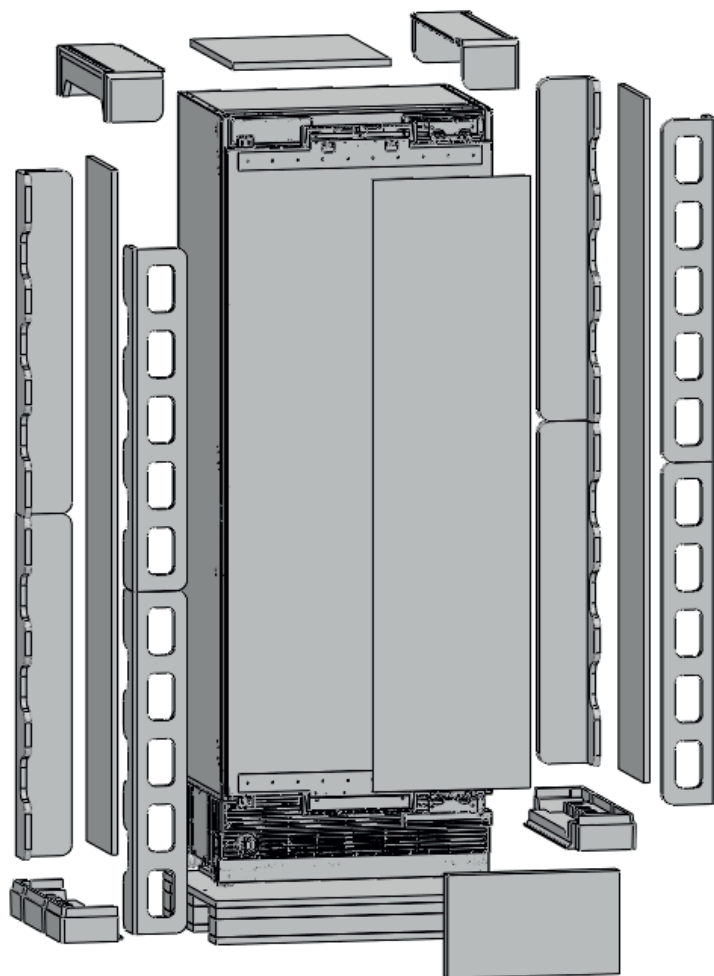
At least two persons must carry the refrigerator.



- Use a box cutter to remove the tapes.
- Cut the packaging board with a box cutter through the section illustrated in dotted lines and remove it.



- Remove the packaging polystyrene material.

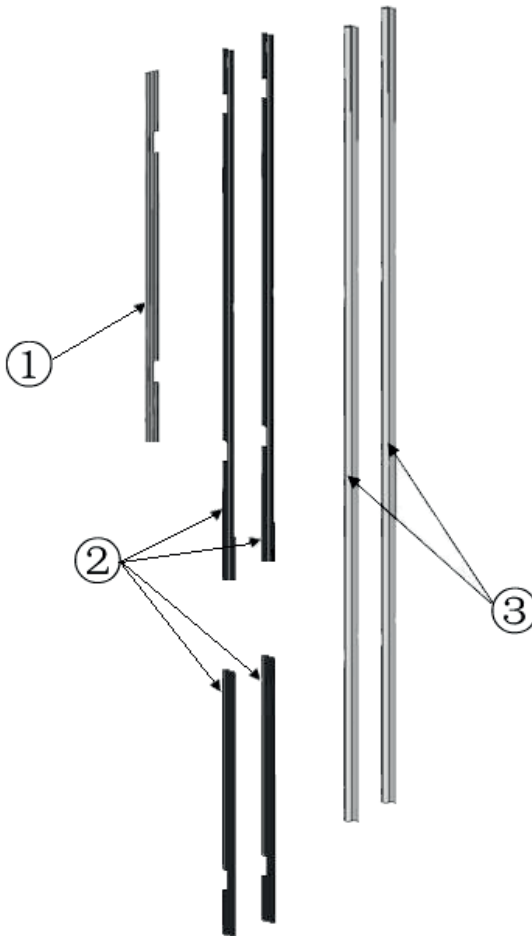


 **Attention**

Do not remove the tape of the upper door on the product until the refrigerator is placed into the cabin. Risk of tipping over.



Removing the connectors on the rear wall

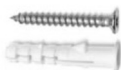


No	Part name	Spec	Quantity
1	Trim furniture top	PVC extrusion L = 762	1
2	Trim furniture side	PVC extrusion L = 1.259	2
		PVC extrusion L = 617	2
3	Trim door side	PVC extrusion L = 1.781	2

## Removing mounting parts in the drawer compartment

No	Part name	Spec	Quantity	Remark
1	Anti-tip bracket	T4.0, Cr+zn-coating	8	
2	Anti-tip bracket screws and dowels	M8 x 60 mm	8	
3	Position adjustment jig	PS	1	
4	Cover furniture door bracket	ABS	2	
5	Truss washer head	M4 x 12 mm	2	
6	Bracket furniture door	T1.0, Cr+zn-coating	2	
7	Counter sunk head screw	M4 x 14 mm	4	
8	Truss washer head	M4 x 12 mm	4	
9	Square washer	T1.0, Cr+zn-coating	4	
10	Center mounting bracket	T1.0, Cr+zn-coating	4	
11	Counter sunk head screw	M4 x 14 mm	8	
12	Bracket furniture	T1.0, Cr+zn-coating	8	
13	Counter sunk head screw	M4 x 14 mm	16	
14	Truss washer head	M4 x 12 mm	16	
15	Counter sunk head screw	M4 x 14 mm	20	Furniture door hanger bracket
16	Air vent hinge part	ABS	1	Door opening direction change
17	90° limit pin	Ø 4 mm	2	Door 90° opening use

- Anti tip bracket screws.
- Dowels.



- Truss washer head screw. Spec: **M4 x 12**.

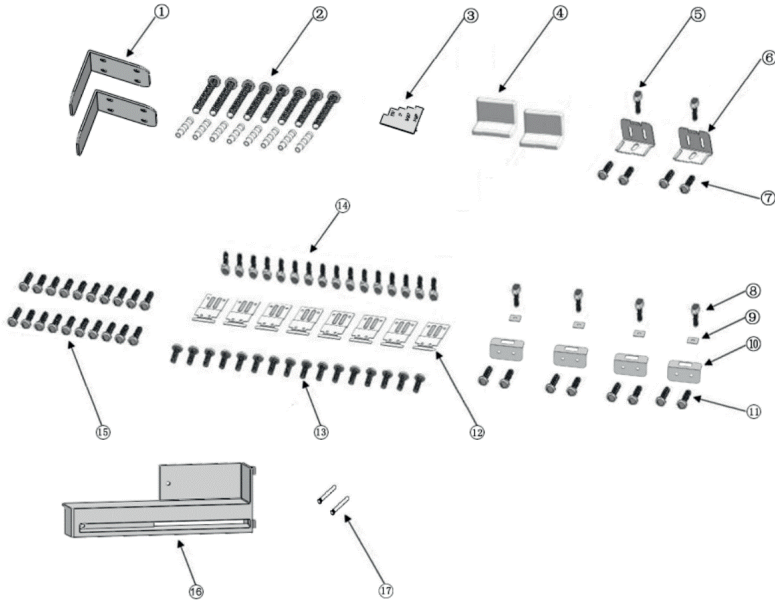
Fixing Refrigerator such as cabinet and door (press part).



- Counter sunk head screw. Spec: **ST M4 x 14**.

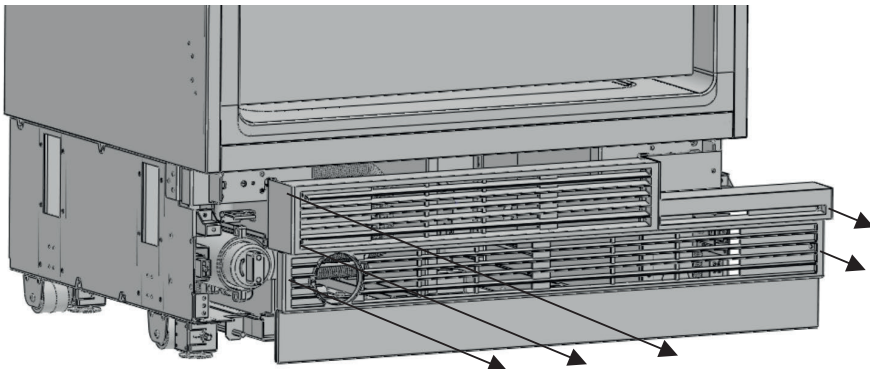
Fixing the cabin and furniture door (wood part).





### Removing the vent hole assembly

– Remove **5 screws** to take out the vent hole assembly.



## Pre-installation

Continue to install the product according to the instructions below. Additionally, consider national and local instructions regarding installation.

Please observe the following:

- For USA, the National electrical code, ANSI/NFPA 70 — last version / state or municipality directives and/or regional directives.
- For Canada, the Canadian electrical code, C22.1 — last version / state or municipality directives and/or regional directives.

## Mounting the anti-tip brackets



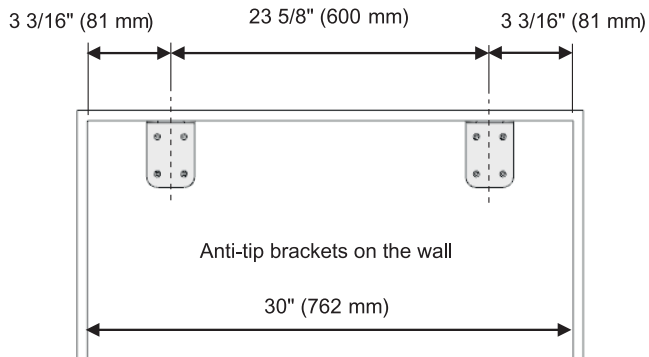
### Warning

You must definitely use anti-tip brackets to prevent the appliance from tipping over.

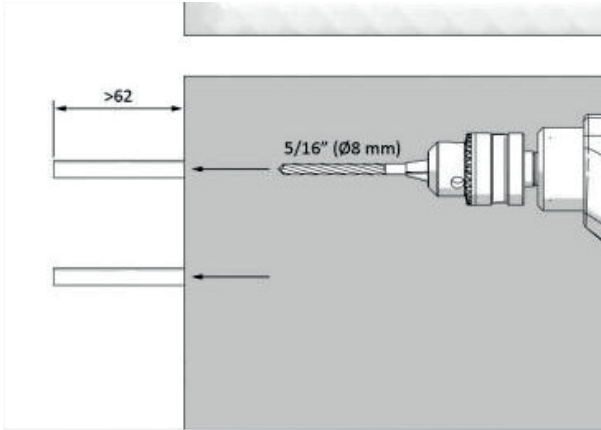
Make sure that there is no electrical or water connection, where the screws will be tightened and connections will be established.

Please remember to use the necessary protective equipment when drilling holes on the wall and performing installation.

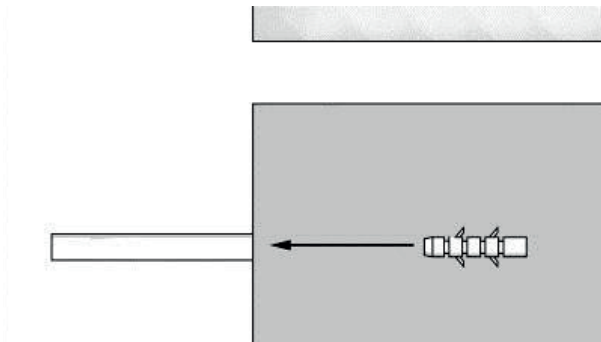
- Mark the wall for anti-tip brackets (item No 1).



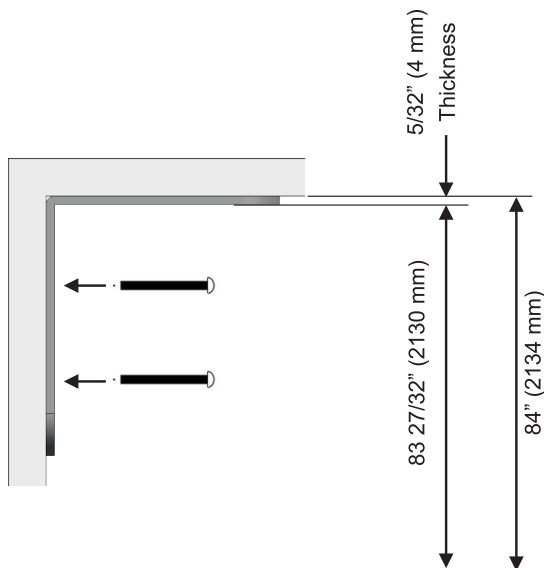
– Use a drill to create holes for dowels (item No. 2) at the marked points ( $\frac{5}{16}$ " —  $\varnothing 8$ ).



– Use the hammer to fit the dowels (item No. 2).



- Fit the brackets (item No. 1) into their places, using 4 screws for each. You must use both brackets to ensure safety of the product.



### Warning

If you are not sure whether the existing connection parts are fit to the wall as securely as they should be, you can use alternative anti-tip methods.

If there is furniture at the back wall of the refrigerator, please make sure that the furniture is fixed to the wall.

For this, you need to be sure that the back wall of the furniture is fixed to the concrete back wall with suitable connection parts.

### Alternative anti-tip method

If the anti-tip brackets cannot be connected securely, you must use the alternative method below. In this method, you can use wooden girders to avoid the risk of tipping over.

It must be installed as illustrated in the figure below.

There must be no clearance between the product and the wooden girder.

Minimum section dimensions of the wooden girder must be **3" x 4" (75 mm x 100 mm)**.

Width of the girder must be equal to the clearance where it will be installed.

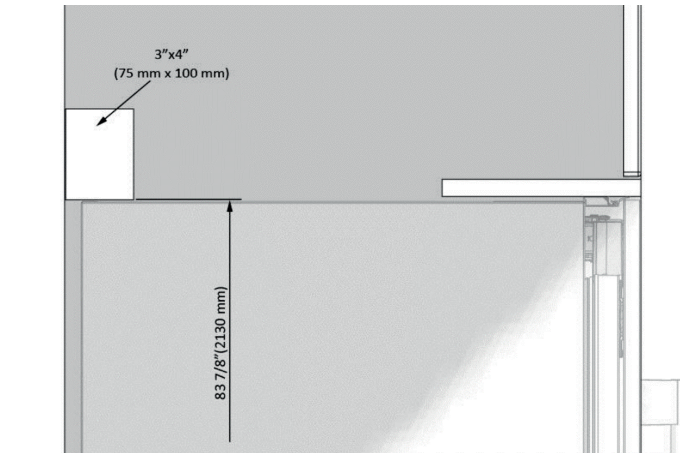
An additional girder must be used if the niche depth is more than anticipated. The wooden girder must contact the product with a maximum size of **2" (50.8 mm)**.

To determine the location for the wooden girder, mark it on the rear wall, select suitable screws and connect safely.



### Warning

Number and features of the screws to be used for the wooden girder must be determined so that there is no safe connection.



### Preparing the water hose and the power plug

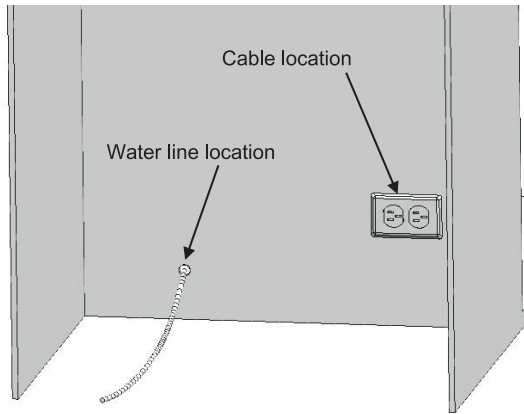
You will need a hose with a minimum length of 60" (1.5 meters) and a diameter of 1/4" for water connections of the product during installation.

A connector that has a thread with an external diameter of 1/4" must be used to connect the hose end to the product.

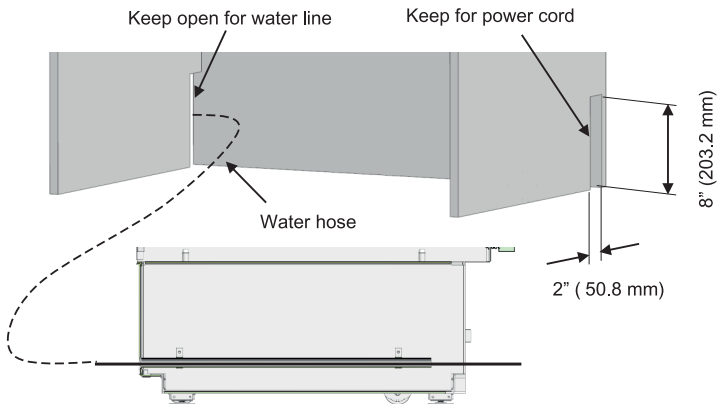
You can choose the method A or method B below to prevent the cable from getting jammed.

## Installation guide

- Method A: Locate the water hose and power supply on the back.



- Method B: Locate the water hose and power supply on the side.

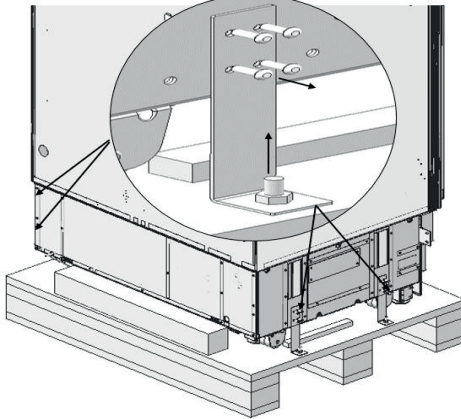




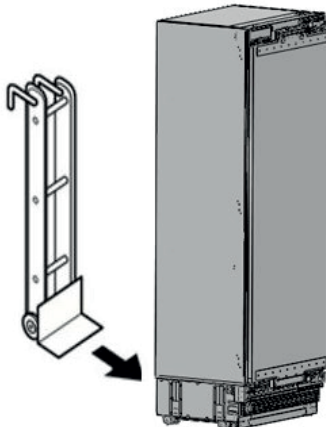
## Installation to the cabin

### Taking the refrigerator from the wooden pallet

– Remove the brackets that connect the refrigerator to the wooden pallet.



– Recline the refrigerator slowly and pull back with the help of the cart, and then land it.

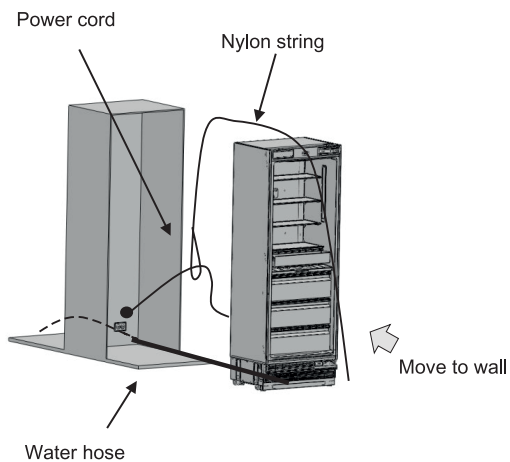
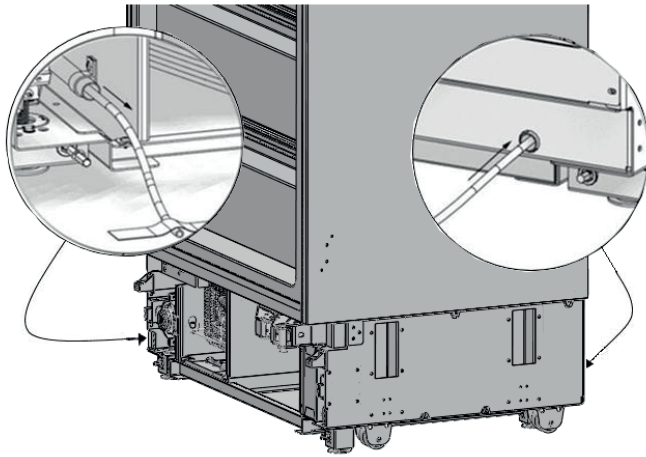


## Attention

The risk of tipping over is high as of this point. You should not open the doors until the product is placed into the cabin.

### Placing the refrigerator into the cabin

– Insert the mains water hose into the duct at the back and take it out from the front.





## Note

- Apply the below method to prevent the cable from getting jammed.
- Start the refrigerator and make sure it is energized. (You can check if the lamps compartment are on or off to see if the product is operating).

You can use tape and similar protectors on parts you think this is necessary to protect the edges of the furniture when placing the product.



## Warning

The plug of the product must be accessible after installation. If the plug is not accessible after installation, the power must be cut off from the main switch.

Make sure that the mains cable is not jammed when placing the product.  
Push the product carefully towards the cabin to place it.

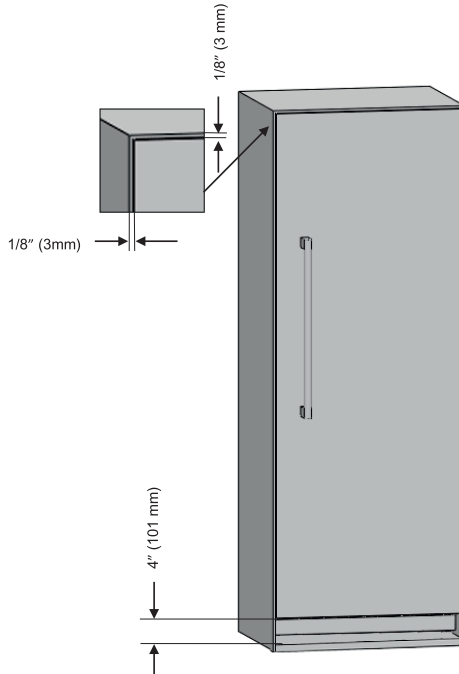
If there is strain during the placement of the product into the cabin:

- The floor might be rough or uneven.
- Adjustable feet might be loose.

(Please see the relevant section to learn how to adjust the adjustable feet).

## Note

You must use the upper edges of the door when aligning the product with the furniture. Adjustment of other edges are explained in the following pages.



### Adjusting the height of the refrigerator in the cabin

– Adjust the refrigerator height using the adjustable feet.

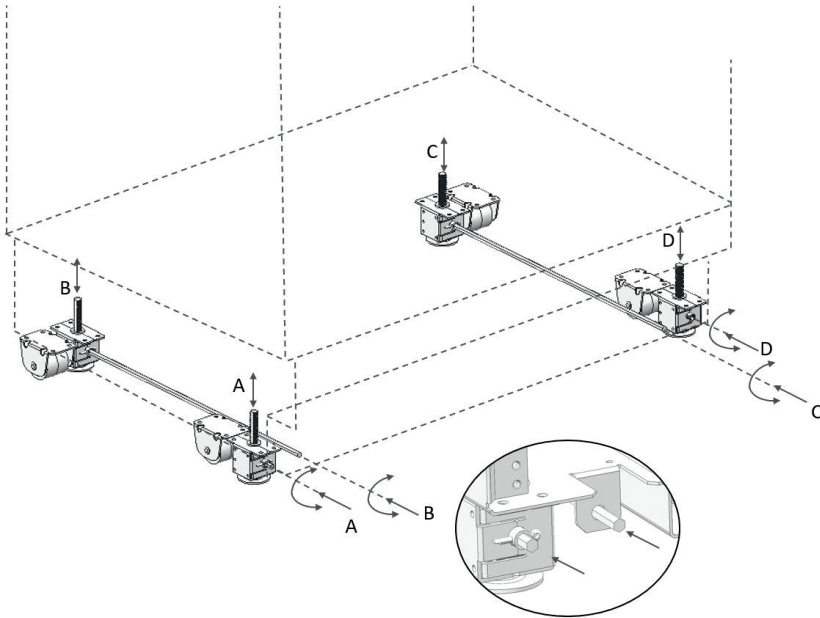


## Warning

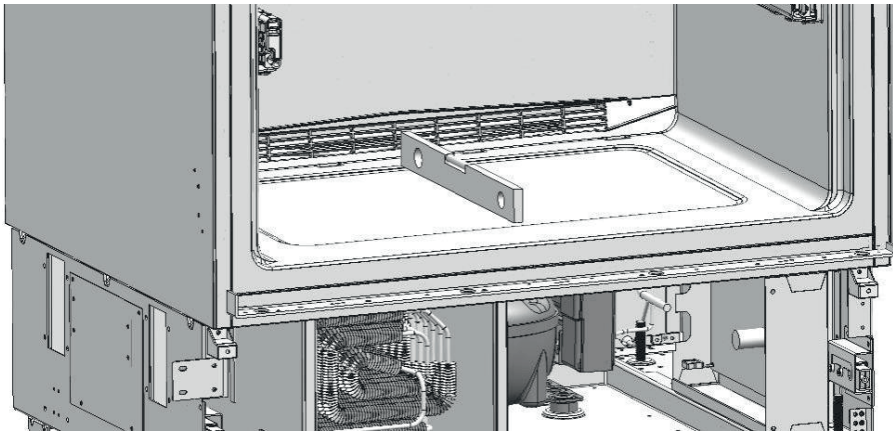
First of all, raise the front feet to reduce the risk of the cabin falling forward.

A/D — Turn the key clockwise to lift the front.

B/C — Turn the key clockwise to lift the rear.



– After adjusting the adjustable feet, check the flatness in both width and depth directions.

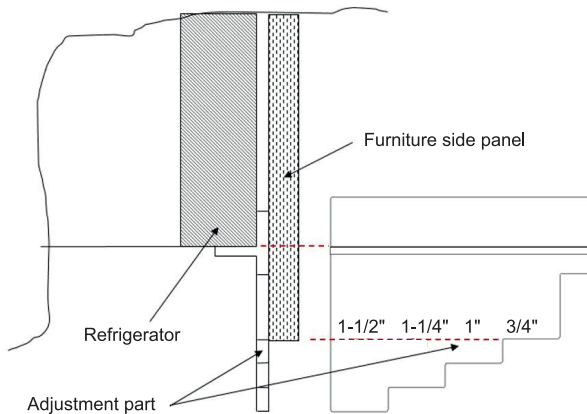
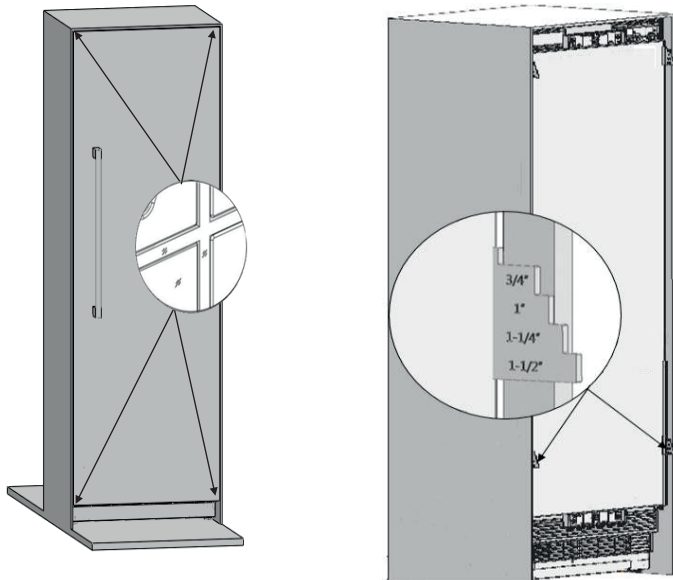


**Note**

The maximum height that the adjustable feet can reach is 1  $\frac{9}{16}$ " (40 mm) and the product height is 85  $\frac{3}{8}$ " (2.169 mm).

## Adjusting the refrigerator according to the cabin flange

- For product with furniture door, the position of the refrigerator is adjusted so that the door and the furniture surface are flush. You can also use gage if necessary.
- For products without furniture door, the product is placed using the adjustment part as shown in the figure below.
- Position of the level adjustment part must be adjusted according to the thickness of the door. It can adjust the level for **4** different door thickness levels.



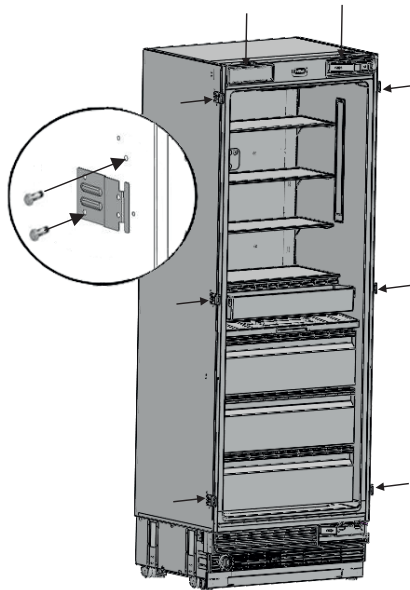
## Screwing the side and upper brackets

– Fix the bracket furniture (Item No. 12) to the unit, where **2** on the top, and **3** on every side. Use the truss washer head screws (Item No. 14) to tighten.



### Warning

Before starting to screw the side and upper brackets, please make sure that water is supplied to the product and there is no water leakage.



### Note

If you have difficulty tightening the screws, opening a reference hole with the drill will make this procedure easier. Screwing the bracket furniture on the cabin side wall.

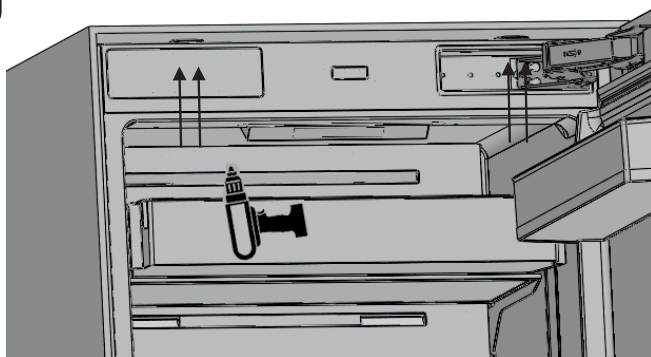
– Attach the bracket furniture to the furniture with **12 screws** (Item No. 13).



## Note

If you have difficulty tightening the screws, opening a reference hole with the drill will make this procedure easier. Screwing the bracket furniture on the cabin top wall.

– Attach the bracket furniture to the furniture with **4 screws** (Item No.13).



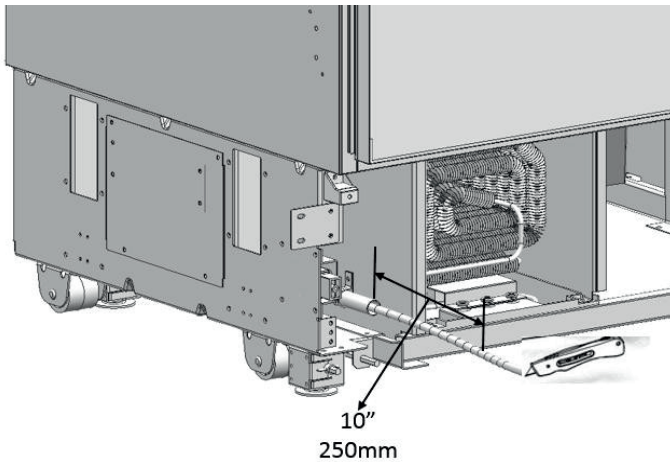


## Installing the cabin bottom

### Water connection



– Use the box cutter to cut the water hose from the end of the pipe it comes out, leaving a section of **10" length**.



– Use the **2 wrenches** to firmly connect the hose coming from the mains and the hose coming from the valve.



### Warning

The hose coming from the mains must be one piece. Do not use extension hoses.

Make sure that the power is cut off when making the water connection of the product.

The water valve must be off when connecting the water hose.



## Warning

It is recommended that the water on/off valve remains accessible after installing the product.

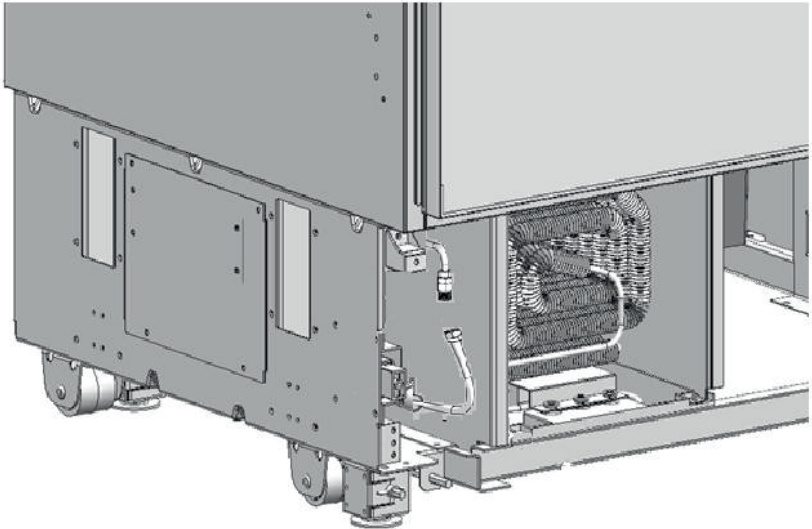
This product is suitable for use with cold water mains only.

Pressure of the water system must be between 25-80 psi (1.7-5.5 Bar).



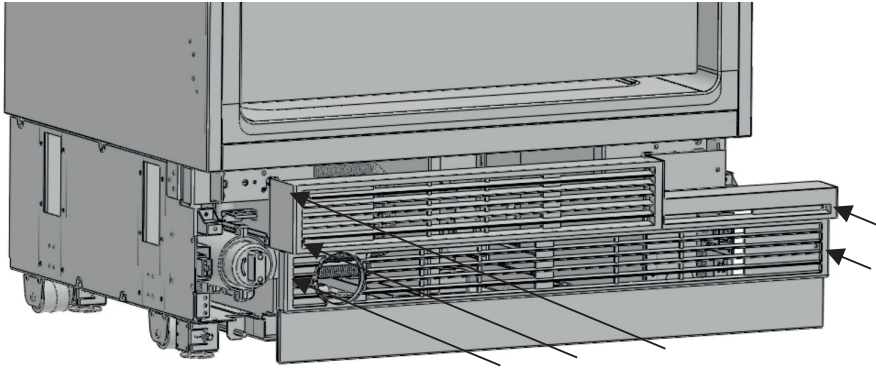
## Note

Once the connection is complete, you must turn on the mains valve and make sure that there is no leakage at that point.



### Attaching the vent hole assembly

- Use **5 screws** to attach the vent hole assembly.



#### Note

You can move the lower vent hole forward-backward to adjust it to the kick plate in the kitchen.



#### Warning

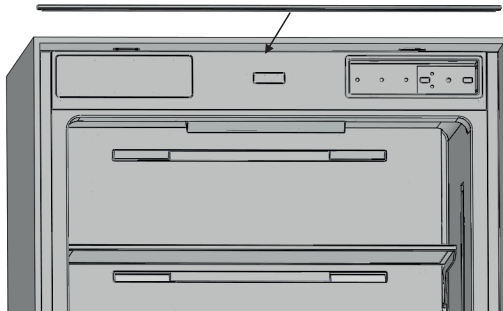
Forward-backward travel distance of the lower kick plate must be  $1\frac{5}{16}$ " (23 mm).  
As you can see in the figure, the decorative kick plate must not be in front of the upper vent hole level.

### Attaching the decorative parts

- Attach the side closing parts (trim furniture side Item No. 2) onto the right/left connection brackets.



– Attach the upper closing part (trim furniture top Item No. 1) onto the upper connection bracket.



## Furniture door preparation

This section contains information about preparing the furniture doors and mounting them to the product.



### Warning

Maximum weights of the furniture to be mounted to the product is 36.4 lbs (16.5 kg).  
Furniture door density: 0.6.

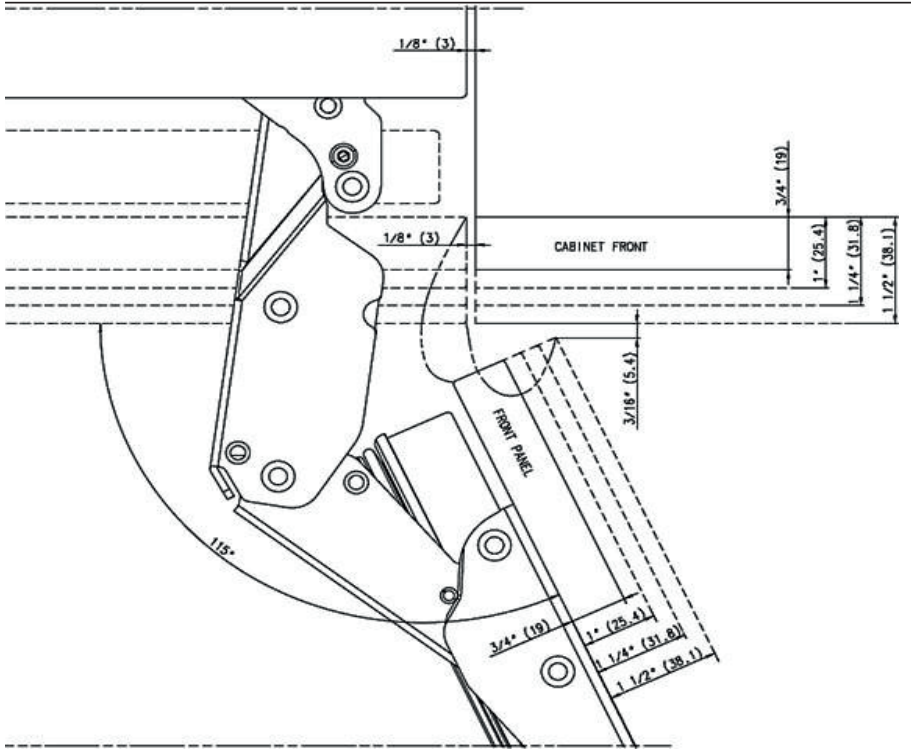
## Choosing the door thickness

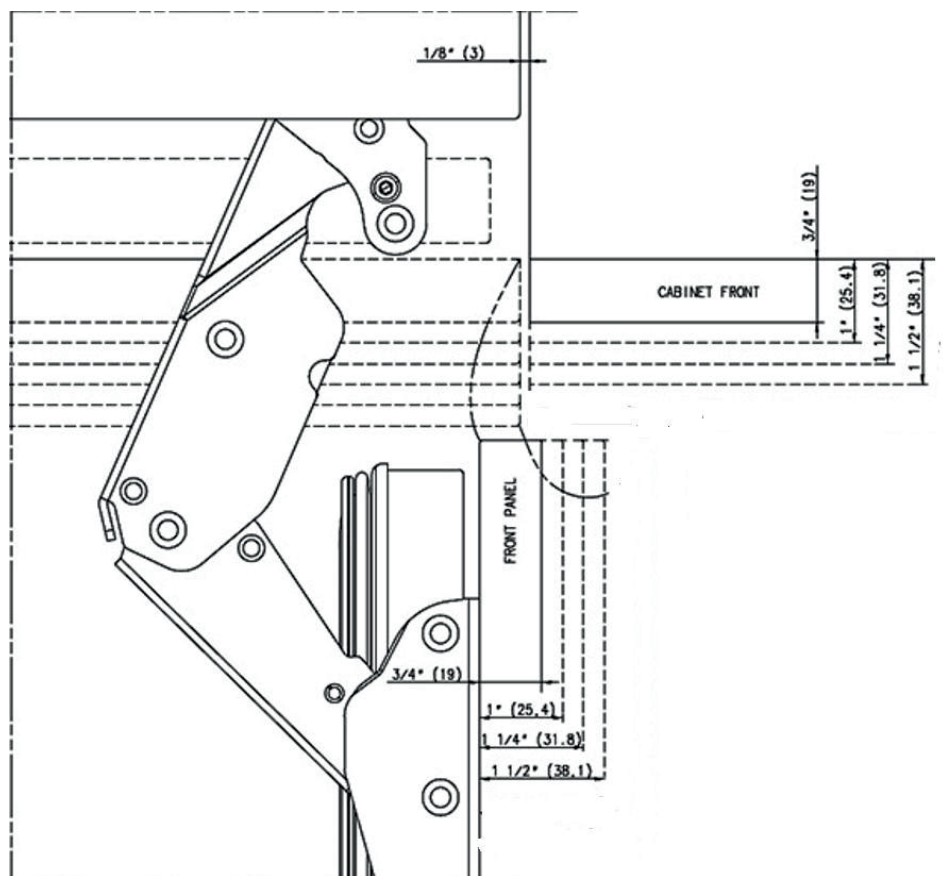
– The door of your refrigerator can open by **115° maximum**. If the door is going to open to this degree, you can choose the following thickness levels.



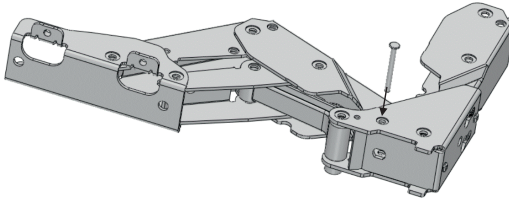
**Warning**

If the door thickness is more than 1 1/2" (38 mm), the door should not open more than 90°. You must use 90° limit pin on the hinge.





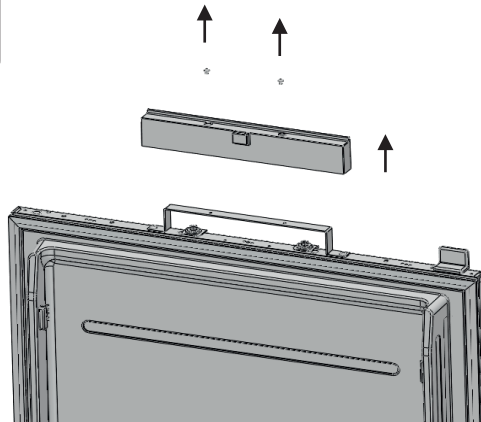
- You can limit the opening degree of your door to **90°** If you want
- **90° limit pin** (item No. 17) is located in the mounting part kit of the drawer box.
- Pin must be fully seated in the bracket or the door will not close properly.



90° limit pin should be inserted to upper hinge and lower hinge

## Removing the mechanism covers

- Remove screws to take out the top hanger bracket cover.

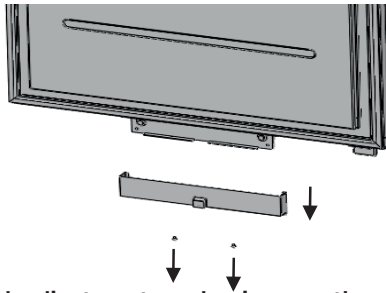




## Warning

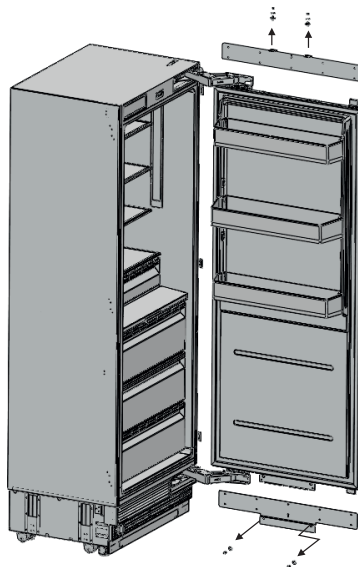
There is a magnet on the top hanger bracket cover. This is a functional part for the operation of the product. It should not be confused with the low hanger bracket cover.

- Remove screw to take out the low hanger bracket cover.



## Removing the panel-adjustment mechanisms on the refrigerator

- Remove the upper and lower adjusting mechanism assemblies from the door.



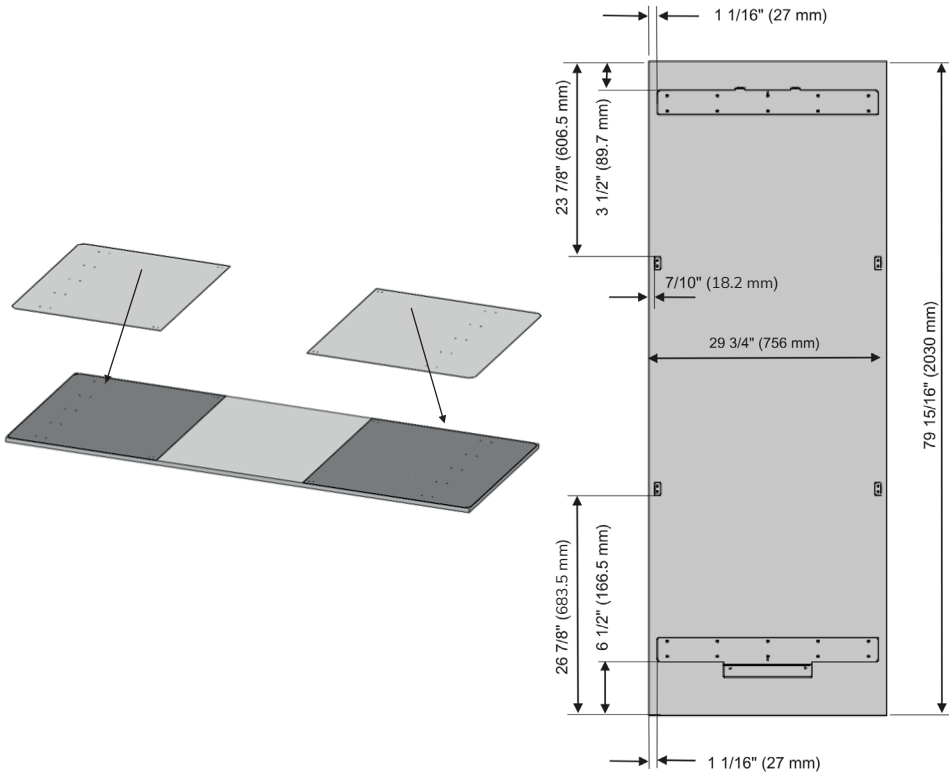


Preparing furniture door



**Note**

You must take the dimensions into account when grouping the cradle parts on the furniture door. When marking, you can use the „Furniture door preparation template“ provided with the product.



**Warning**

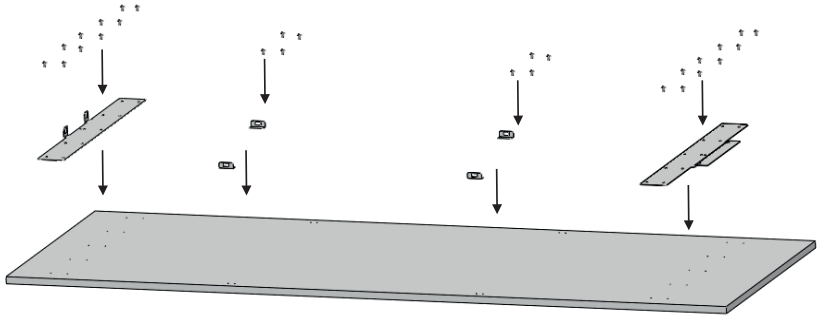
Handle connection holes must be adjusted according to the handles to be used in kitchen design.

Minimum thickness of the door must be 3/4" (19 mm).

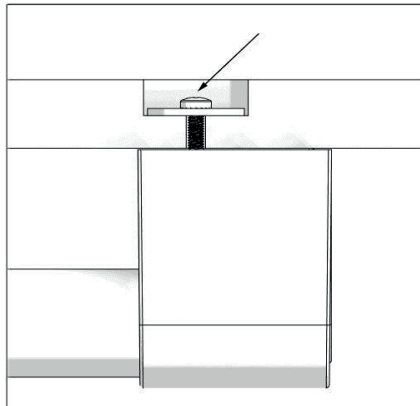
You must use screws (item No. 15) suitable for the door thickness.

## Installation guide

– Install cradles using the chipboard screws. You can also use the template provided with the product to align these parts. It is recommended to keep this template for future reference.



– Attach the door handle. Screws holding the door handle must not protrude.



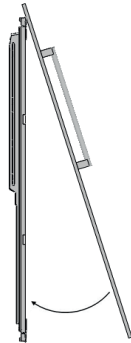
### Warning

Handle connection holes must be adjusted according to the handles to be used in kitchen design.

Minimum thickness of the door must be  $\frac{3}{4}$ " (19 mm).

## Installing the furniture door

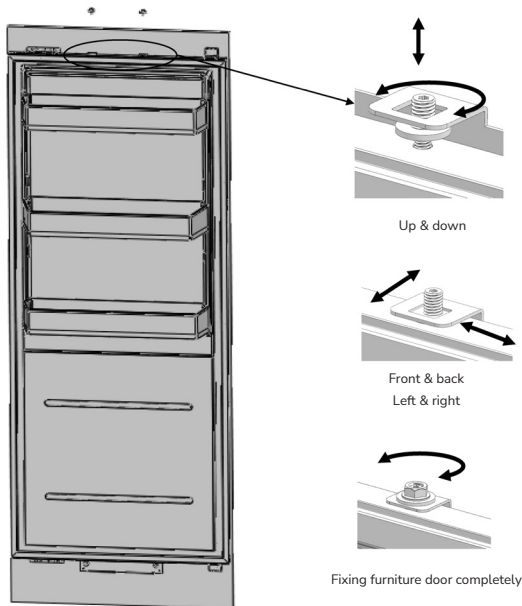
– Attach the furniture door to the door.



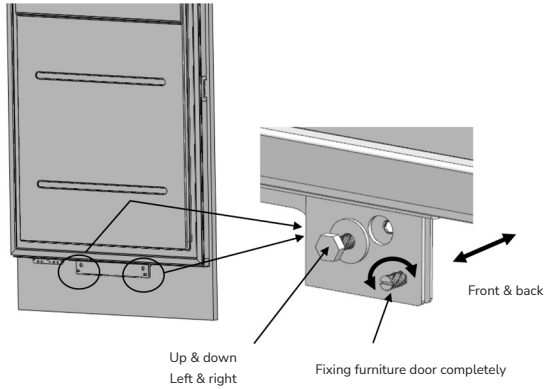
– How to align the furniture door upper part with bolts.

Position of the Furniture Doors to the kitchen furniture must be flush.

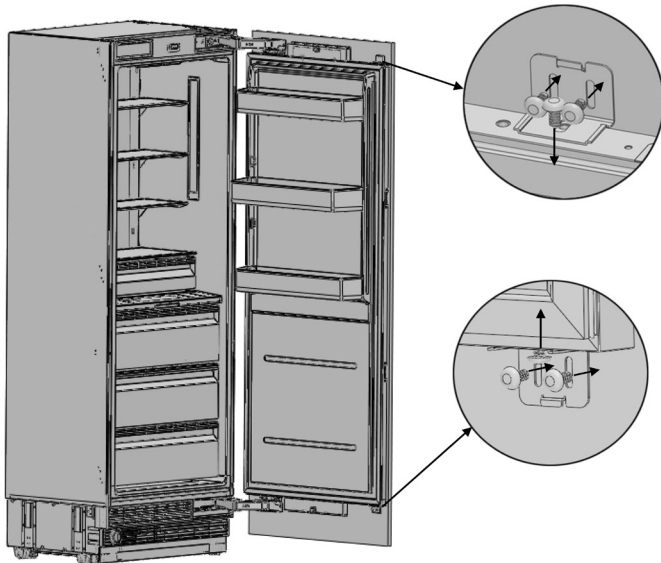
To achieve this, you should adjust 3D direction using two fixing bolt to perform fine adjustments. First of all, review the position of the grouped Furniture Doors against the kitchen furniture. Distances between furniture must be  $\frac{1}{8}$ " (**3 mm**), assuming that the furniture dimensions are correct. You can make door adjustments based on this distance.



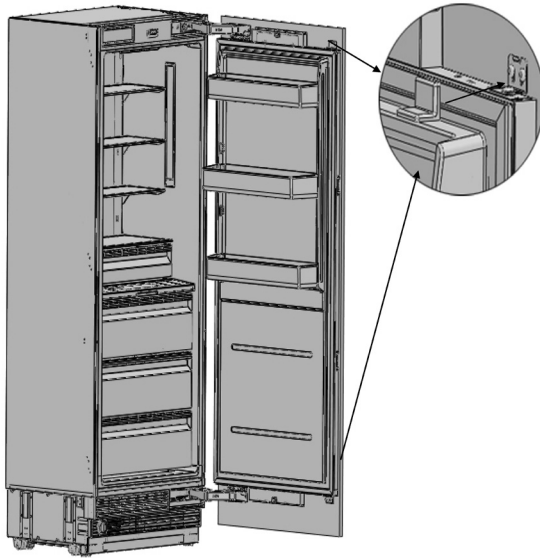
– How to align the furniture door lower part with bolts.



- Use the bracket furniture door (Item No 6) to join the furniture door.
- Use **2 screws** (Item No 7) and **1 screw** (Item No 5) to fix.



– Clip the cover furniture door bracket.



Attach and screw the upper/lower decoration cover.

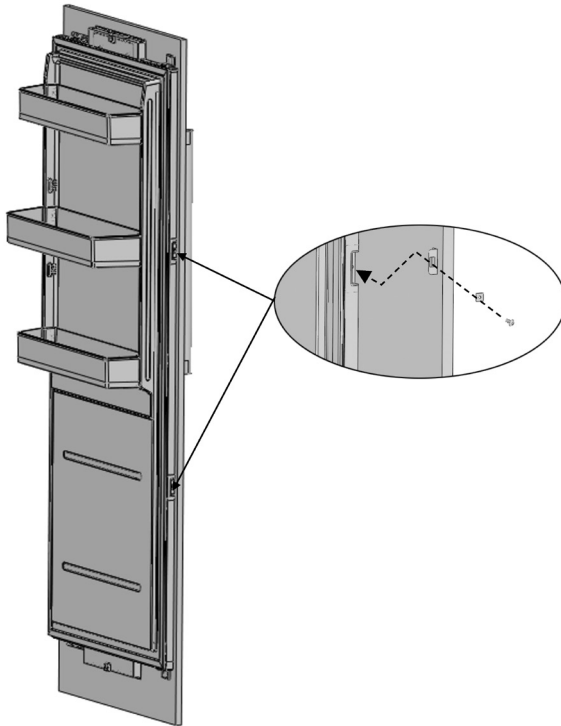




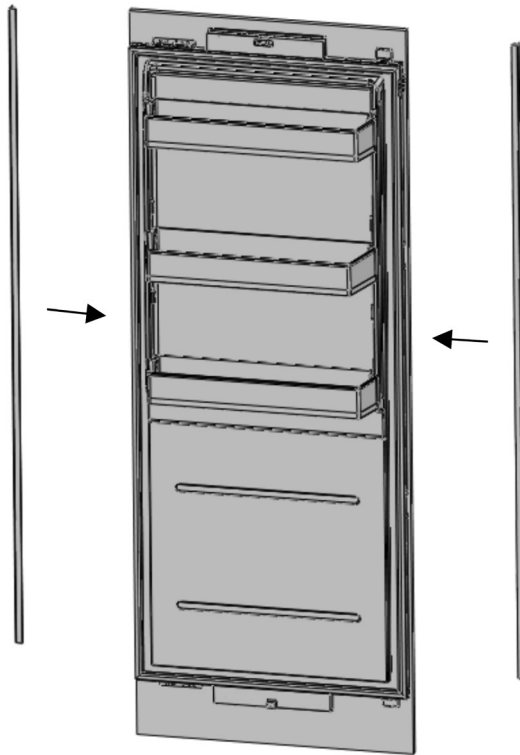
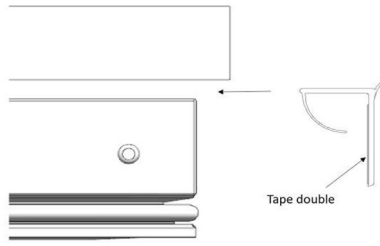
## Warning

You must keep these parts for future use. You will need them if you want to change the door directions.

- After the top and bottom door panel brackets are secured by installing screws, use screw (Item No 8) and square washer (Item No 9) to secure the center mounting bracket.



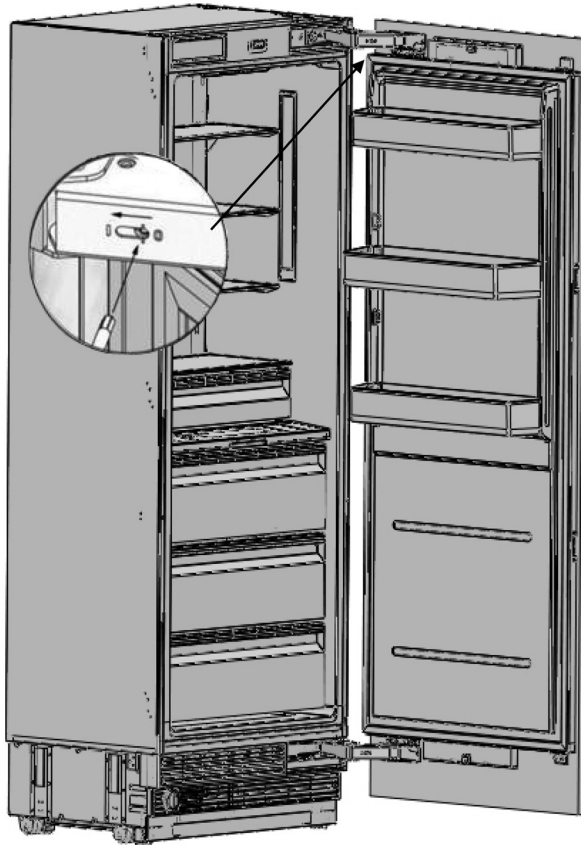
Attach the Trim door side (Item No. 3).



## Hinge adjustment

### Adjusting the hardness of the hinges

- Use a drill to adjust the hardness of the upper and lower hinges of the Door.
- Set the hinge adjustment screw from position „0“ to position „I“.



### Warning

The door must be fully open during this adjustment.

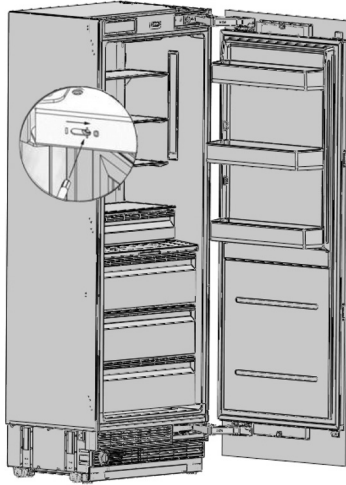
This adjustment must definitely be performed after the door has been adjusted.



## Changing the door opening direction

### Removing the furniture door

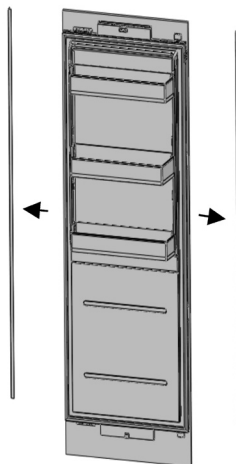
- Set the hardness level of the hinge to „0“.



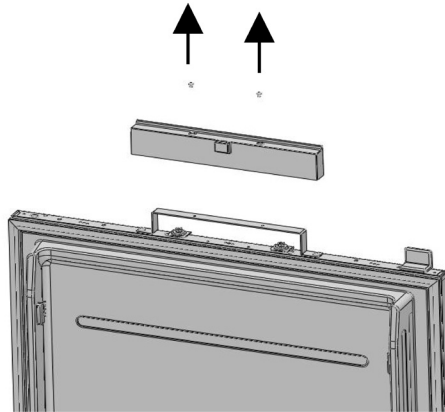
### Attention

Failure to set the hinge to „0“ and continuing the installation like that may cause injury.

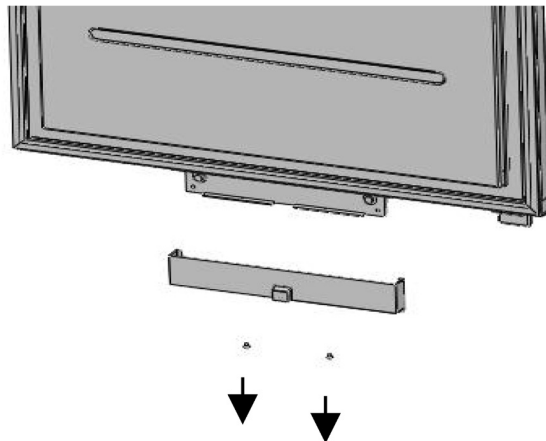
- Remove the side closing seals.



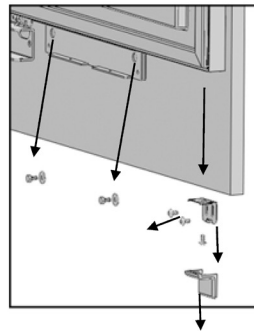
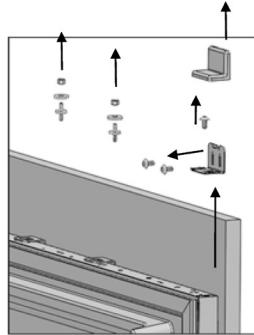
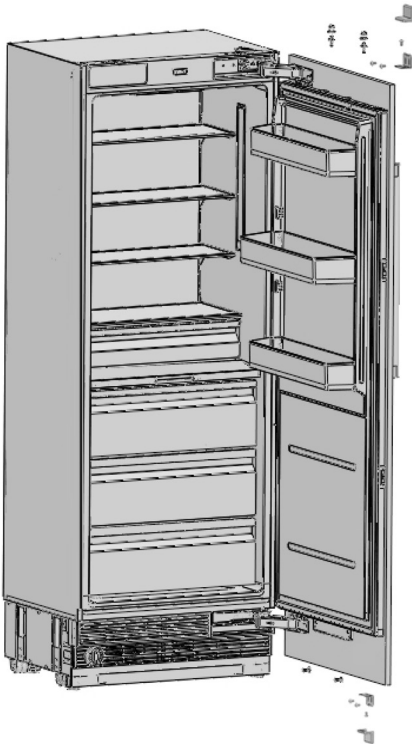
– Loosen screws of the Upper Cover of the door and remove it.



– Loosen screws of the lower cover of the door and remove it.



Remove the upper adjustment kits.



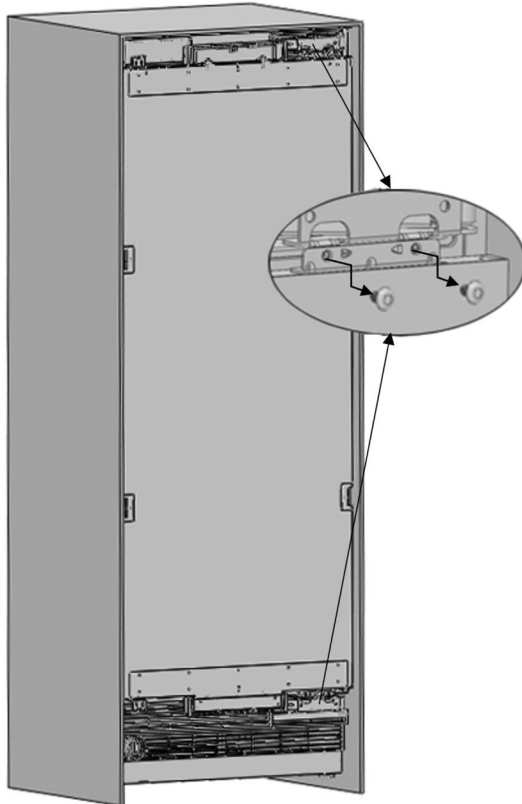
**Warning**

The clad door will be released when these screws are removed.  
 You must take measures to prevent the door from falling.  
 You can tape the Furniture Door to the Inner Door or ask for help from another person.

- Take the Fridge Furniture Door and lay it down on a table upside down.
- You must attach the Furniture Door by rotating it **180°** based on its current position.

### Removing and preparing the inner door

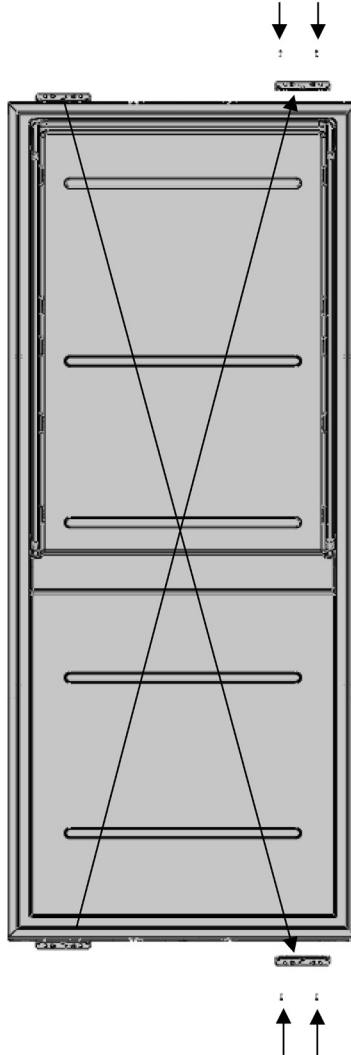
- Remove the hinge connection screws of the Hinge Brackets.



#### Attention

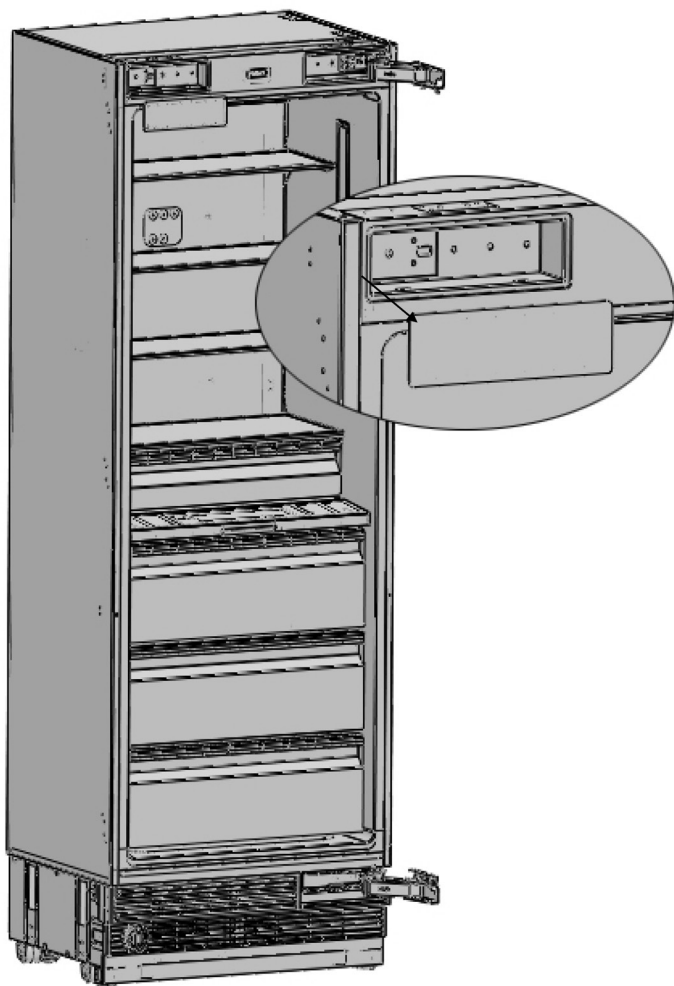
The clad door will be released when these screws are removed.  
You must take measures to prevent the door from falling.  
You can tape the Furniture Door to the Inner Door or ask for help from another person.

- Take out door and lay it down on a table.
- Remove the hinge brackets on the fridge door and screw them as shown figure.

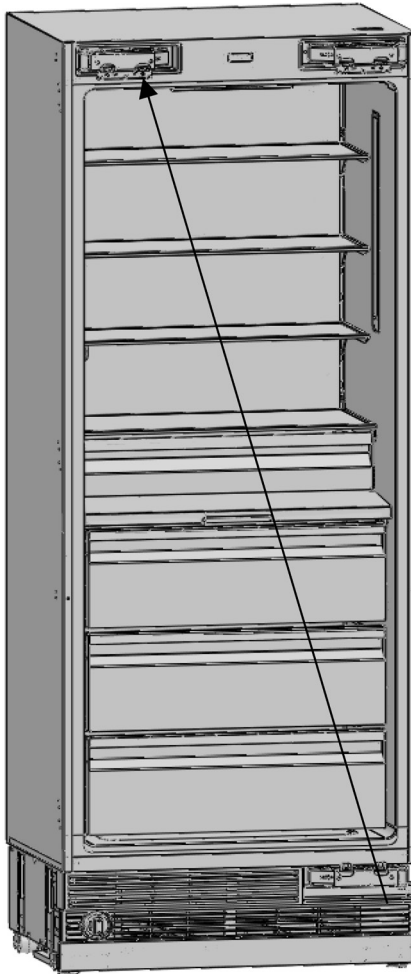
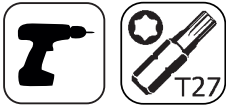


### Replacing the hinges

- Remove the Hinge Caps located at the other side where you will fix the hinges.

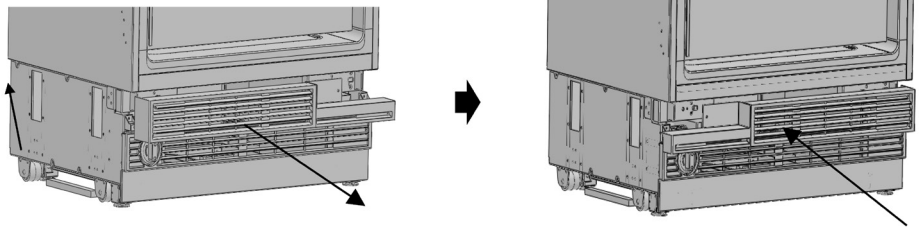


– Remove the lower right hinge by loosening its **2 screws** and fix it to its slot at the upper left side.

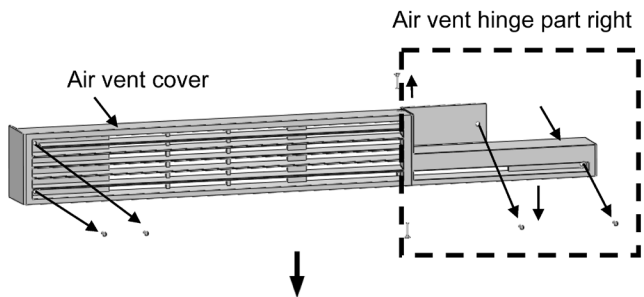


## Air vent upper part direction change

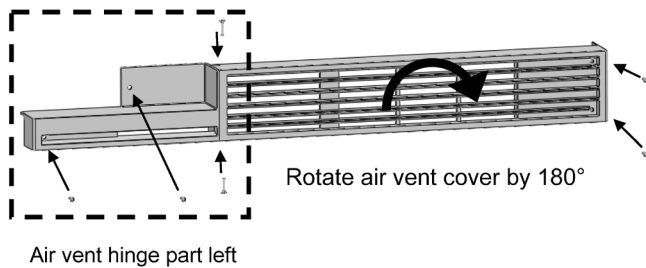
Remove the air vent part and change direction as shown figure.



– Air vent upper part for the right hinge.

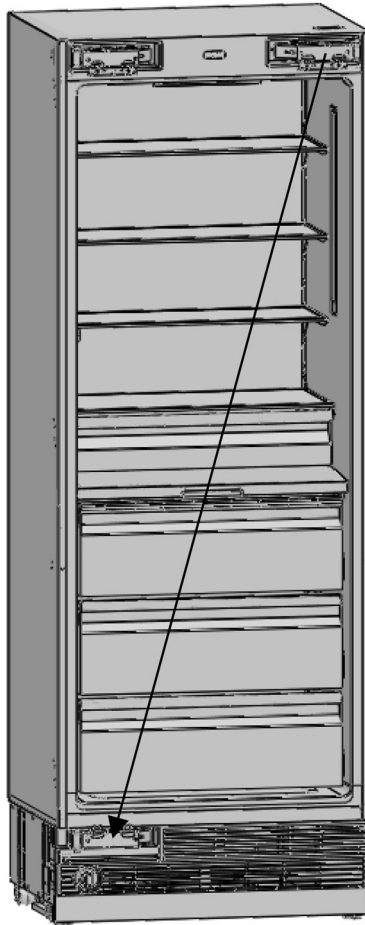


– Air vent upper part for the left hinge.

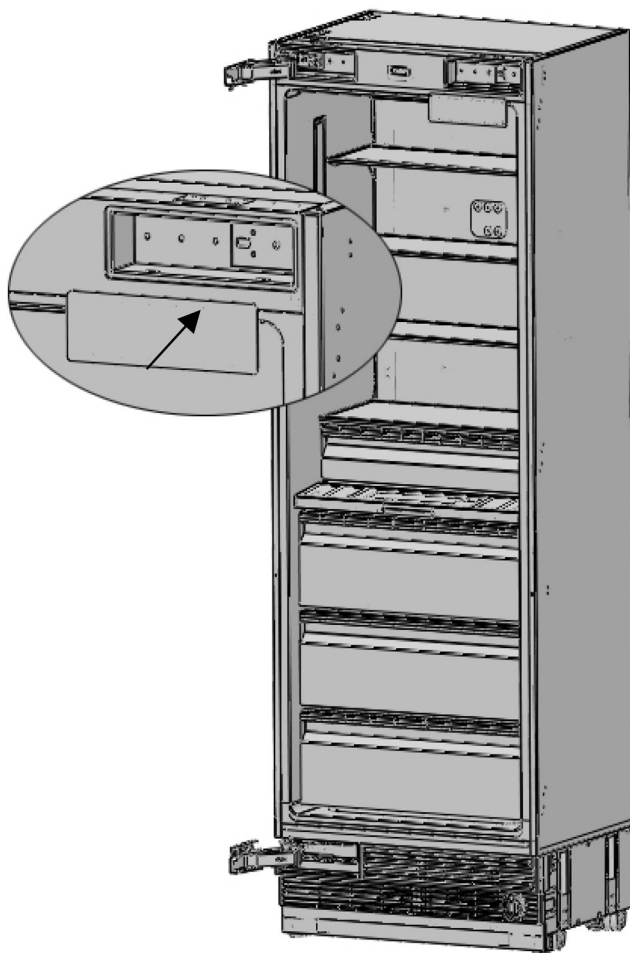




– Remove the upper right hinge by loosening its **2 screws** and fix it to its slot at the lower left side.

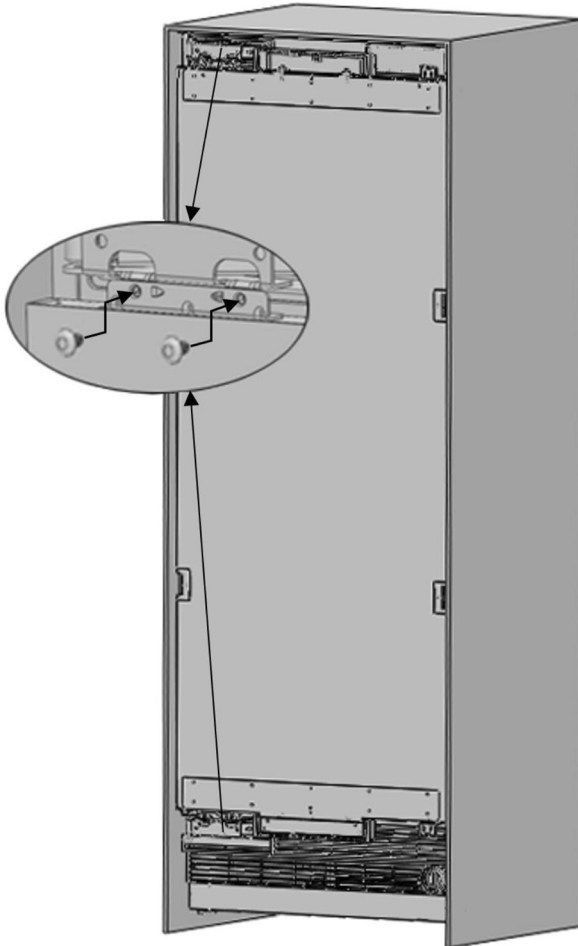


– Attach the Hinge Slot Caps removed from the left side to the Hinge Caps to the right side.



## Installing the door

– Place the door to the refrigerator and fix it with **4 screws**.



### Safety information



#### Warning

Risk of fire / flammable materials: This appliance is not intended for use by persons (including children) with reduced physical, sensory or mental capabilities, or lack of experience and knowledge, unless they have been given supervision or instruction concerning use of the appliance by a person responsible for their safety. Children should be supervised to ensure that they do not play with the appliance.

If the supply cord is damaged, it must be replaced by the manufacturer, its service agent or similarly qualified persons in order to avoid a hazard.



#### Warning

Keep ventilation openings, in the appliance enclosure or in the built-in structure, clear of obstruction.

Do not use mechanical devices or other means to accelerate the defrosting process, other than those recommended by the manufacturer.

Do not damage the refrigerant circuit.

Do not use electrical appliances inside the food storage compartments of the appliance, unless they are of the type recommended by the manufacturer.

When positioning the appliance, ensure the supply cord is not trapped or damaged.

Do not locate multiple portable socket-outlets or portable power supplies at the rear of the appliance.

To avoid a hazard due to instability of the appliance, it must be fixed in accordance with the instructions.

Connect to potable water supply only.

Do not store explosive substances such as aerosol cans with a flammable propellant in this appliance.

This appliance is intended to be used in household and similar applications such as:

- staff kitchen areas in shops, offices and other working environments;
- farm houses and by clients in hotels, motels and other residential type environments;
- bed and breakfast type environments;
- catering and similar non-retail applications.

Please according to local regulations regarding disposal of the appliance for its flammable refrigerant and blowing gas.

If the LED lamp is damaged, it must be replaced by the manufacturer, its service agent or similarly qualified persons in order to avoid a hazard.

Dimensions of the space to be provided for the appliance refer to the below.

Dimensions and position of the means for supporting and fixing the appliance within this space refer to the below.

Minimum dimensions of ventilating openings and their correct arrangement refer to the below.

Your appliance must be connected to a power socket with grounded connection, which is conform to the respective standards and has been installed by an authorized person.

It is necessary to allow disconnection of the appliance from the supply after installation.

The maximum inlet water pressure refers to the below.

The new hose-sets supplied with the appliance are to be used and that old hose-sets should not be reused.

The method that how the appliance is to be fixed to its support refers to the below.

This appliance can be used by children aged from **8 years** and above and persons with reduced physical, sensory or mental capabilities or lack of experience and knowledge if they have been given supervision or instruction concerning use of the appliance in a safe way and understand the hazards involved. Children shall not play with the appliance. Cleaning and user maintenance shall not be made by children without supervision. Children aged from **3 to 8 years** allowed to load and unload refrigerating appliances.

To avoid contamination of food, please respect the following instructions:

- Opening the door for long periods can cause a significant increase of the temperature in the compartments of the appliance.

- Clean regularly surfaces that can come in contact with food and accessible drainage systems.

- Clean water tanks if they have not been used for **48 h**; flush the water system connected to a water supply if water has not been drawn for **5 days**.

- Store raw meat and fish in suitable containers in the refrigerator, so that it is not in contact with or drip onto other food.

- One-, two- and three-star compartments are not suitable for the freezing of fresh food.

- If the refrigerating appliance is left empty for long periods, switch off, defrost, clean, dry, and leave the door open to prevent mould developing within the appliance.

### Please read this manual before using the product!

Dear Valued Customer,

We wish you to get the best results from your product that has been manufactured meticulously at modern plants and tested with detailed quality control checks.

For this reason, we recommend that you read this user manual thoroughly before starting the product.


If you hand over the product to someone else, please remember to give the user manual as well.

### This manual will help you use your appliance in a fast and safe way.

- Please read this user manual carefully before installing and using the product.
- Always follow the applicable safety instructions.
- Keep the user manual in an easily accessible place for further use.
- Please read all the other documents provided with the product.

Please keep in mind that this manual may apply to several product models.

This manual expressly indicates the differences between various models.

<b>A</b>	Risk of injury and property damage.
<b>B</b>	Risk of electric shock.
<b>C</b>	Important information and useful hints.
	Packaging materials of this product has been manufactured from recyclable materials in accordance with the National Environment Regulations.

## Important instructions regarding safety and environment

This chapter contains safety information that will help you avoid the risk personal injury or property damage. Failure to follow these instructions shall render any product warranty void.

### 1.1 General Safety

– This product can be used by children at **age 8** and above and those people who have limited physical, sensory or mental capabilities and people who lack experience and information on the condition that they have been given the instructions about the safe use of the product, they are supervised and the risks have been eliminated.

Children should not play with the product.

Cleaning and care should not be performed by children unless they are supervised by an adult.

– Unplug the product if you encounter a failure during use.

– If the product malfunctions, it must not be operated until repaired by the authorized service provider. Risk of electric shock!

– Plug the product into a grounded socket protected by a fuse that corresponds to the value on its nameplate.

Have a qualified electrician ground the product.

Our company cannot be held responsible for damages resulting from the failure to use the product with a grounded socket pursuant to local regulations.

– Unplug the product when not in use.

– Never wash the product by spreading or pouring water onto it! Risk of electric shock!

– Never touch the plug with wet hands!

– Never unplug the product by pulling the cable.

– Always pull the plug by holding the socket.

– Do not plug the refrigerator if the wall socket is loose.

– Never connect your refrigerator to energy saving devices.

– Such systems are harmful to your product.

– Unplug the product during installation, care, cleaning and repairing procedures.

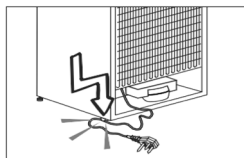
– Always have the **Authorized Service Provider** install the product and establish its electrical connections.

The manufacturer cannot be held responsible for damages caused by procedures performed by unauthorized persons.

– Do not eat cone ice cream or ice cubes immediately after you take them out of the freezer compartment! This may cause frostbite in your mouth!

– Do not touch frozen food with wet hands! They may stick to your hand!

– Do not put bottled or canned liquid beverages in the freezer compartment. They may burst!



- Never use steam or steam cleaners to clean or defrost the refrigerator. Steam gets into contact with the live parts in your refrigerator, causing short circuit or electric shock!

- Do not use mechanical devices or other means to accelerate the defrosting process other than those recommended by the manufacturer.

- Never use the parts in your refrigerator such as the door and drawer as a means of support or step. This may cause the product to tip over or damage the parts of it.

- Do not damage the parts where the refrigerant is circulating with drilling or cutting tools.

The refrigerant that might blow out when the gas channels of the evaporator, pipe extensions or surface coatings are punctured causes skin irritations and eye injuries.

- Do not cover or block the ventilation holes in your refrigerator with any object.

- Place the beverage with higher proofs tightly closed and vertically.

- Do not use gaseous sprays near the product since there is the risk of fire or explosion!

- Flammable items or products that contain flammable gases (e. g. spray) as well as explosive materials should never be kept in the appliance.

- Do not place vessels filled with liquid onto the product. Splashing water on an electrical part may cause electric shock or the risk of fire.

- Do not store items that need precise temperature adjustment (such as vaccines, heat-sensitive medication, science materials etc.) in the refrigerator.

- If you are not going to use the product for a long time, unplug it and remove the food in it.

- If there is a blue light on the refrigerator, do not look at this light with optical tools.

- Exposing the product to rain, snow, sun or wind is dangerous in terms of electrical safety.

- In products with mechanical control (thermostat), wait for **5 minutes** to plug in the product again after unplugging.

- Do not overload the refrigerator. Objects in the refrigerator may fall down when the door is opened, causing injury or damage. Similar problems may arise if any object is placed onto the product.

- If the product has a door handle, do not pull the handle when re-locating the product. The handle might be loose.

- Be careful not to jam your hand or any other body part in the moving parts of the refrigerator.



## 1.2 Intended Use

- This product has been designed for domestic use. It is not suitable for commercial use and it must not be used out of its intended use.
- It must be used only for storing food.
- The manufacturer will not take any responsibility for damages resulting from improper use or transport.
- Original spare parts will be available for **10 years** after the purchase date of the product.

## 1.3 Children's Safety

- If there is a lock on the door of the product, the key should be kept out of the reach of children.
- Do not let children play with the product.

<h1>A</h1>	<p><b>Danger:</b> Before disposing your old refrigerator or freezer:</p> <ul style="list-style-type: none"><li>– Children may get locked inside.</li><li>– Remove the doors.</li><li>– Leave the shelves to prevent children from getting inside the product easily.</li></ul>
------------	--

## 1.4 Compliance with the WEEE Directive and Disposing the Waste Product:

This product conforms to the EU WEE Directive (2012/19 EU).

This product bears a classification symbol for waste electrical and electronic equipment (WEEE).

This product has been manufactured from high quality parts and materials which can be reused and are suitable for recycling.

Therefore, do not dispose the product with normal domestic waste or other waste at the end of its service life.

Take it to a collection center for recycling electrical and electronic equipment.

Please consult local authorities to learn about the locations of such collection center.




## 1.5 Compliance with the RoHS Directive:

The unit you have purchased conforms to the EU RoHS Directive (2011/65/AB). It does not contain harmful or prohibited materials specified in the Directive.

## 1.6 Packaging Information

- Packaging materials of the product have been manufactured from recyclable materials in accordance with our National Environment Regulations.
- Do not dispose the packaging materials with normal domestic waste or other types of waste.
- Take these materials to a recycling point designated by local authorities.

	<p><b>Danger:</b> <b>Risk of Fire or Explosion:</b></p> <ul style="list-style-type: none"><li>– This product uses flammable refrigerant.</li><li>– Do not use mechanical devices to defrost the refrigerator.</li><li>– Do not use chemicals for cleaning.</li><li>– Do not pierce the refrigerant pipe.</li><li>– If the refrigerant pipe is pierced, it must be repaired only by licensed service personnel.</li><li>– Please consult the repair/user manual before cleaning the product.</li></ul> <p>All safety instructions must be followed.</p> <ul style="list-style-type: none"><li>– Dispose the product according to federal or local regulations.</li></ul>
---	---

## 1.7 Hydrocarbon (HC) Warning

- If your product's cooling system contains R-600a. This gas is flammable. Therefore, pay attention not to damage the cooling system or the piping during use and transportation.
- If damaged, keep the product away from potential fire sources that may cause it to catch fire and ventilate the room where the product is placed.

<b>C</b>	If the product is damaged and if you see gas leak, please keep away from the gas. It may cause frostbite when it gets into contact with the skin (including R134).
<b>C</b>	Ignore this warning if the cooling system of your product contains R134a.
<b>C</b>	Type of gas used in the product is stated on the type plate which is on the left wall inside the refrigerator.
<b>A</b>	<b>Warning:</b> Never throw the product into fire for disposal.

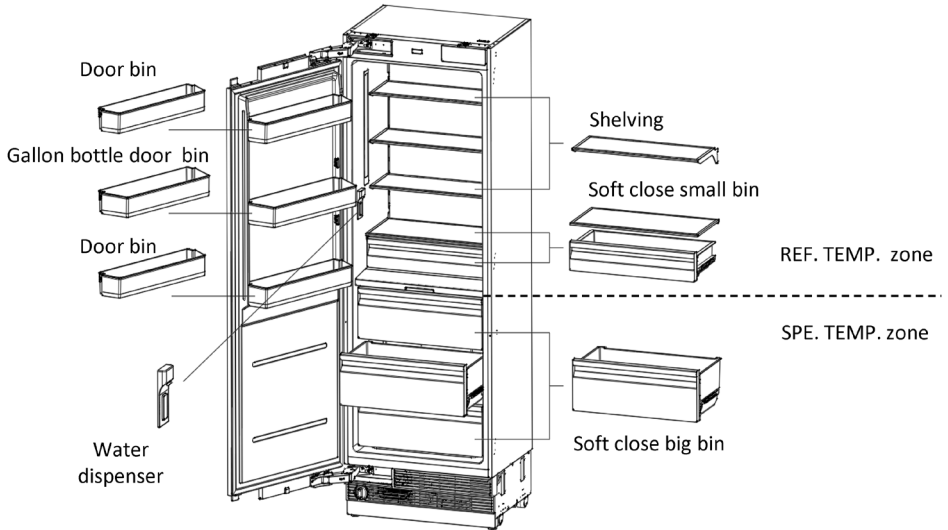
### 1.8 For Products with a Water Dispenser/Ice Machine

- Operating pressure for cold water inlet is between **1–5.5 bars**.
- If the water pressure exceeds **80 psi (5.5 bars)**, install a pressure limiting valve to your mains system.
  - If the mains pressure is lower than **1 bar**, you can use an auxiliary pump to compensate the low pressure.
  - If you do not know how to check the water pressure, please consult a professional plumber.
  - If there is a risk of water impact in your installation, always use a water impact protection equipment in that installation.
  - Please consult professional plumbers if you are not sure if there is water impact in your installation
  - Do not make installation on the hot water inlet.
  - Take the necessary measures against the freezing risk of the hoses.
  - The water temperature operating range must be **0.6 °C (33 °F)** minimum and **38° C (100° F)** maximum.

<b>A</b>	<b>Warning:</b> Never connect the product to a cold water mains with a pressure of <b>5.5 bars (80 psi)</b> and above.
----------	---

## Storage features

### Refrigerator



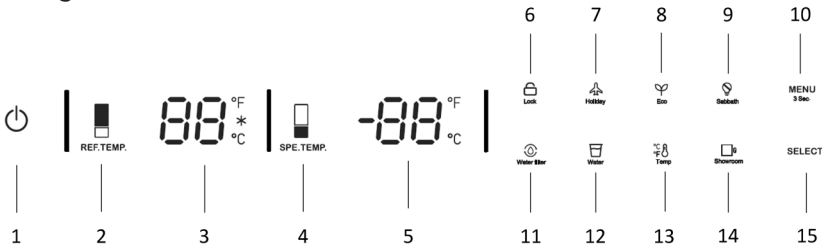
Refrigerator components	
Shelving	<ul style="list-style-type: none"> <li>- Selectable shelf heights.</li> <li>- Heat treated safety glass.</li> </ul>
Water dispenser (if applicable)	<ul style="list-style-type: none"> <li>- Removable ice container.</li> <li>- Hygienic ice scoop</li> </ul>
Soft close bins	<ul style="list-style-type: none"> <li>- Soft close bins close quietly and properly.</li> </ul>
Door bins	<ul style="list-style-type: none"> <li>- Adjustable and removable door bins.</li> <li>- Gallon bottle door bin.</li> </ul>

### May not be available in all models

<b>C</b>	<p>Figures in this user manual are schematic and may not match the product exactly. If your product does not have the relevant parts, the information applies to other models.</p>
----------	--

## Display Panel

### Refrigerator



1	On/Off button	Serves to switch the whole appliance On and Off. Press the button to switch on the product, the product will be switched on in <b>5 seconds</b> . Press the on/off button for <b>1.5 seconds</b> to switch off.
2	REF. TEMP. zone colder/Warmer Button	Press REF. TEMP. button to adjust temperature from <b>36 °F (2 °C) to 46 °F (8 °C)</b> . After the temperature regulation is stopped, the nixie tube will flash for <b>5 seconds</b> and take effect. Super cooling function will be enabled if keep pressing after <b>36 °F (2 °C)</b> . When the snow symbol illuminate on the display the super cooling function will be enabled. The super cooling feature assists with periods of high refrigerator use, full grocery loads, or temporarily warm room temperatures. After the super cool cycle completes, the refrigerator will return to its previous setting.
3	Temp. display	Displays the set temperature of the REF. TEMP. zone Fahrenheit, Celsius, Super cooling lamp illuminate.
4	SPE. TEMP. zone colder/Warmer Button	Press SPE. TEMP. button to adjust temperature from <b>30 °F (-10 °C) to 41 °F (5 °C)</b> . After the temperature regulation is stopped, the nixie tube will flash for <b>5 seconds</b> and take effect.
5	Temp. display	Displays the set temperature of the SPE. TEMP. zone Fahrenheit, Celsius lamp illuminate.
6	Lock	Press lock key continuously for <b>3 seconds</b> and the lock icon will light up. Press the lock key for <b>3 seconds</b> to unlock the icon <b>3 minutes</b> without key operation lock key. All of the following operations must be performed in the unlocked state.
7	Holiday mode	Press the MENU button till the holiday symbol illuminates, then press the SELECT button to enable the function. When the Holiday Mode function is enabled, the REF. TEMP and SPE. TEMP. will be set at <b>63 °F (17 °C)</b> automatically. Note: Do not place food in the fresh food compartment when Holiday Mode is enabled.

## Display Panel

8	Eco mode	Press the MENU button till the Eco Mode illuminates, then press the SELECT button to enable the function. When the Eco Mode function is enabled, the REF. TEMP will be set at <b>46 °F (8 °C)</b> the SPE. TEMP. will be set at <b>41 °F (5 °C)</b> automatically.
9	Sabbath mode	Press the MENU button till the Sabbath mode symbol illuminates. Then press the SELECT button to enable the function When the Sabbath mode function is enabled, all lights, buzzers, display panels will be switch off.
10	Menu/ child lock	By pressing MENU button for <b>3 seconds</b> , you may lock/ unlock the control panel. The child lock is a feature for preventing children from changing the product settings.
11	Water filter (if applicable)	The water filter symbol flashes and beeps to advise the user to replace the water filter. After the replacement is completed Press the SELECT button for <b>5 seconds</b> to reset. The set replacement time is <b>130 days</b> .
12	Water dispenser (if applicable)	Press the MENU button till the water dispenser symbol illuminates, Then press the SELECT button to enable the function. When the water dispenser is enabled, fresh water can be provided from the dispenser fitted on the intenal wall. Note: Prepare the water filter for use before using water dispenser after connecting the refrigerator to a water source or after replacing the filter.
13	Temperature unit	Press the MENU button till the Celsius and Fahrenheit Selection symbol illuminates to change between Celsius and Fahrenheit. After that press the SELECT button to confirm.
14	Showroom mode	Press the MENU button till the show room symbol illuminates, then press the SELECT button to enable the function. This mode is used when the refrigerator is on display in a retail store or if you want to tum the cooling off and deactivate all other functions except interior lighting. Note: Do not store any food items while in show room mode, as the appliance then remains at room temperature.
15	Select	After selecting menu, then press SELECT button to confirm the function.

<b>C</b>	<p>Recommended operating temperature</p> <p>REF. TEMP. : <b>39 °F (4 °C)</b></p> <p>SPE. TEMP. : <b>34 °F (1 °C)</b></p>
----------	--

## Before Using the Refrigerator

### 4.1 Things to do for energy saving

<b>A</b>	Connecting your refrigerator to systems that save energy is dangerous as they may cause damage on the product.
----------	--

- Do not leave the doors of your refrigerator open for a long time.
- Do not put hot food or drinks in your refrigerator.
- Do not overload the refrigerator. Cooling capacity will fall when the air circulation in the refrigerator is hindered.
- Do not place the refrigerator in places subject to direct sunlight. Install the product at least **30 cm** away from heat sources such as hobs, ovens, heater units and stoves and at least **5 cm** away from electrical ovens.
- Pay attention to store your food in refrigerator in closed containers.
- You can remove the drawer shelf of the freezer compartment to fill the freezer compartment with maximum amount of food

The given energy consumption value of the refrigerator has been determined with the freezer compartment shelf or the drawer removed and the refrigerator Filled with maximum amount of food.

There is no harm in using a shelf or drawer according to the shapes and sizes of food to be frozen.

- Thawing the frozen foods in the fridge compartment both saves energy and reserves the quality of the foods.

<b>C</b>	Temperature of the room where your refrigerator is located should at least be <b>10 °C/50 °F</b> . Operating your refrigerator under cooler conditions is not recommended with regard to its efficiency.
<b>C</b>	If two coolers are to be installed side by side, there should be at least <b>4 cm</b> distance between them.

### 4.2 Recommendations About the Fresh Food Compartment

- Make sure that the food does not touch the temperature sensor in fresh food compartment. To allow the fresh food compartment to keep its ideal storage temperature, the sensor must not be hindered by food.
- Do not place hot foods or beverages inside the product.

## 4.3 Initial use

Before using the product, make sure that all preparations have been made in accordance with the instructions given in the „Important instructions regarding safety and environment“ and „Installation Instruction“ chapters.

– Clean the interior of the refrigerator as recommended in the „Maintenance and cleaning“ section. Before you start the refrigerator, make sure that the interior is dry.

– Plug the refrigerator in a grounded socket. The interior illumination is lit when the door of the refrigerator is opened.

– Operate the refrigerator for **6 hours** without placing any food in it and do not open its door unless it is necessary.

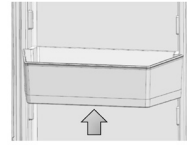
C	You will hear a noise when the compressor starts up. The liquids and gases sealed within the refrigeration system may also give rise to noise, even if the compressor is not running and this is quite normal.
C	Front edges of the refrigerator may feel warm. This is normal These areas are designed to be warm to avoid condensation.



## Equipment

### 5.1 Door bin

To remove, lift up the door bin and then pull out straight.



### 5.2 Glass shelves

#### To remove a shelf

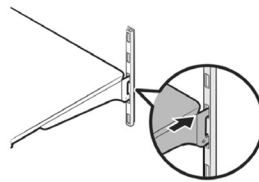
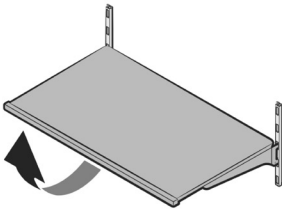
- Fully open the corresponding door.
- Hold the front of the shelf, and then gently lift up and slide out.

#### To reinsert

- Hold the shelf at an angle so the front is higher than the back, and then insert the top hook into the top shelf notch.
- Put down the front slightly.

#### Important note:

Use care when handling glass shelves to prevent breakage or scratching the interior.



# A

#### Attention:

You must wait for the glass shelves to reach room temperature before immersing them in water for cleaning.

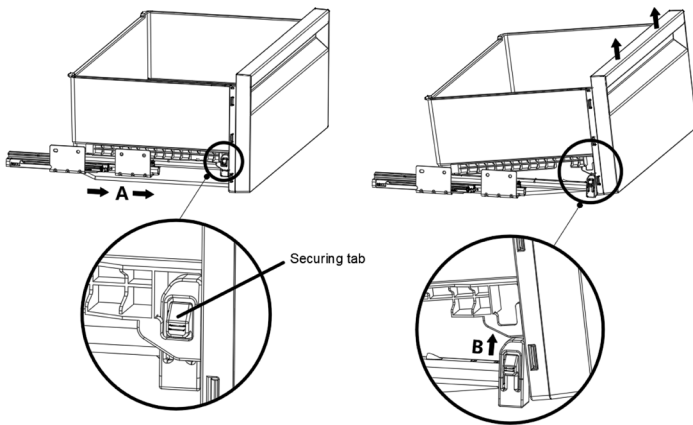
## 5.3 Bins

### To remove the bin

- Pull the bin until it stops.
- Slightly unclip the front section of the bin and take it out completely.

### To install the bin

- Pull the rails completely.
- Place the gap at the rear corners of the bin to the detail located at the rear corners of the rails.
- Push the bin slowly down until you feel it clip front onto the rails.



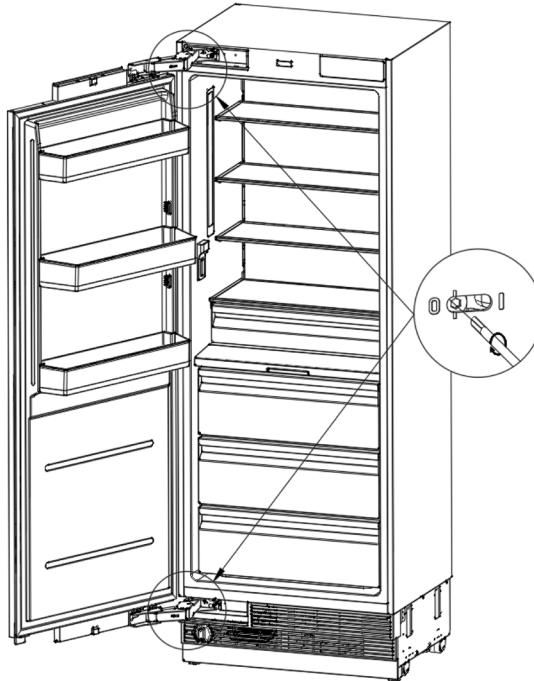
<b>C</b>	Make sure that the details at the right and left-hand sides are fixed when installing the bin.
----------	--

## 5.4 SPE. TEMP. zone compartment

You can control the temperature in this section to store your food such as fish, meat, delicatessen products.

## 5.5 Hinge Adjustment

When adjusting the hardness of the hinge: Hardness of the lower and upper door hinges of the fresh food compartment is performed with the help of a drill. Set the hinge adjustment screw to position „1“ from position „0“.



## 5.6 Changing the Direction of the Door

Please see the installation instructions provided in the bag.

### Care and cleaning

Service life of the product will extend and frequently encountered problems will decrease if the product is cleaned periodically.

Never use gasoline, benzene or similar substances for cleaning purposes.

Never use any sharp abrasive instruments, soap, household cleaners, detergent or wax polish for cleaning.

Dissolve one teaspoon of carbonate in half liter of water. Soak a cloth in the solution and wring it thoroughly. Wipe the interior of the refrigerator with this cloth and the dry thoroughly.

Make sure that no water enters the lamp housing or other electrical parts.

If you will not use the refrigerator for a long time, unplug it, remove all food inside, clean it and leave the door ajar.

Check regularly that the door gaskets are clean. If not, clean them.

Take out all items in the product to remove the door and body shelves.

Remove the door shelves by pulling them up. Slide the shelves downwards to re-install them after cleaning.

Never use chloric cleaning agents or water to clean outer surfaces or chrome-coated parts of the product. Chlorine causes abrasion on such metal surfaces.

### 6.1 Avoiding Bad Odors

Materials that may cause odor are not used in the production of our refrigerators. However, odor may be emitted if foods are stored improperly or if the inner surface of the product is not cleaned as required. Please consider the following to avoid this problem:

- It is important that the refrigerator is kept clean.
- Food residuals, stains, etc. can cause odor.
- For this reason, clean your refrigerator with carbonate solved in water every **15 days**. Never use detergents or soap.
- Keep your foods in closed vessels. Microorganisms emitted from vessels without a cover may cause unpleasant odors.
- Never keep expired or spoiled foods in your refrigerator.

### 6.2. Protecting the Plastic Surfaces

Do not put liquid oils or oil-cooked meals in your refrigerator in unsealed containers as they damage the plastic surfaces of your refrigerator.

If oil is spilled or smeared onto the plastic surfaces, clean and rinse the relevant part of the surface with warm water immediately.

**B**

**Warning:**  
Switch off the product before cleaning.

### 6.3 Cleaning the Inner Surface

To clean the inner surfaces and all removable parts, wash them with a mild solution comprising soap, water and carbonate.

Rinse and dry thoroughly.

Prevent the water from contacting the lighting means and control panel.

### 6.4 Stainless Steel Outer Surfaces

Use a stainless steel cleaning agent that is non-abrasive and apply it with a lint-free, soft cloth.

For polishing, wipe the surface softly with a damp microfiber cloth and use dry wash-leather.

Always follow the strands of the stainless steel.

**A**

**Attention:**  
Do not use vinegar, rubbing alcohol or other alcohol-based cleaning agents on any of the inner surfaces.

## Replacement of the water filter

### 7.1 Water filter cartridge

The water filter cartridge is located in the bottom part of the unit.

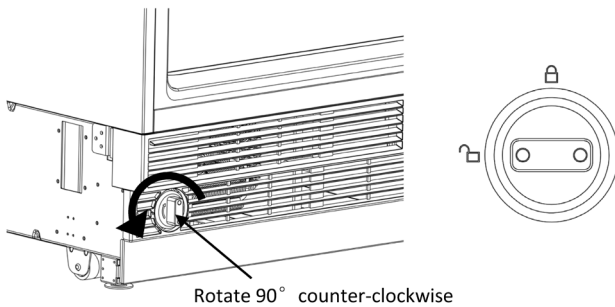
Regarding as replace the filter cartridge.

The filter cartridge should be replaced every six months or earlier if **170 gallons** of water has been dispensed or the flow of water to the dispenser or icemaker decreases.

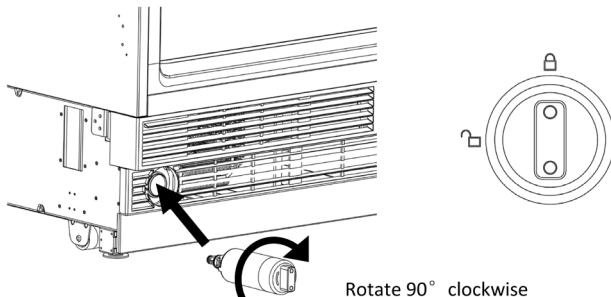
The main refrigerator/freezer control panel will display water filter lamp when the water filter has reached **90%** of life.

### 7.2 Changing the water filter cartridge

Turn the water filter counterclockwise and remove.



Insert the water filter — with the knobs at the front in a horizontal position. As far as it will go, and turn clockwise until it snaps in.



### 7.3 When after replacing the filter cartridge

In refrigerators, run **2 gallons** of water to remove air from the system. A newly installed filter cartridge will cause water to spurt and dribble until the air is out of the system.

To reset the water filter usage, press the SELECT button for **5 seconds** to reset.

Clean water tanks if they have not been used for **48 h**; flush the water system connected to a water supply if water has not been drawn for **5 days**.

### Trouble shooting

Please review this list before calling the service.

This will save you time and money.

This list contains frequently encountered problems that are not results of faulty workmanship or material use.

Your product may not have some of the features described here.

#### **The refrigerator is not operating.**

– It may not be plugged in properly.

*Plug in the product properly.*

– The fuse of the socket to which your refrigerator is connected or the main fuse may have blown.

*Check the fuse.*

#### **The condensation on the fridge compartment.**

– The door may have been opened/closed frequently.

*Do not open/close the refrigerator door frequently.*

– The environment may be too humid.

*Do not install the refrigerator at locations with a very high level of humidity.*

– Foods containing liquid may have been placed into the refrigerator in vessels without covers.

*Do not place foods containing liquid into the refrigerator in unsealed vessels.*

– Door of the refrigerator may have been left ajar.

*Do not keep the doors of your refrigerator open for a long time.*

#### **The compressor is not operating.**

– The compressor protector will work during sudden power failures or plug-out plug-in as the refrigerant pressure in the cooling system of the refrigerator has not been balanced yet.

– The refrigerator will start running approximately after **6 minutes**.

– The freezer is in defrosting cycle.

*This is normal for a refrigerator that performs full-automatic defrosting.*

Defrosting cycle is performed periodically.

– The refrigerator may not be plugged in.

*Make sure that the plug fits the socket.*

– Temperature settings may be incorrect.

*Select the correct temperature value.*

– Possible power failure.

*The refrigerator will start to operate normally when power restores.*

### **The operation noise increases when the refrigerator is running.**

Operating performance of the refrigerator may vary based on the ambient temperature changes.

This is normal and not a fault.

### **Vibration or noise.**

– The floor may not be stable or level.

*If the refrigerator shakes when moved slightly feed to balance it.*

Make sure that the floor is level and capable of carrying the refrigerator.

– Objects placed onto the refrigerator may cause noise.

*Remove the objects on the refrigerator.*

### **There are noises coming from the refrigerator like liquid spilling or spraying.**

– Liquid and gas flows occur in accordance with the operating principles of the refrigerator. This is normal and not a fault.

### **Whistle is heard from the refrigerator.**

– There are fans that are used to cool the refrigerator.

This is normal and not a fault.

### **Dew condensation accumulates on the inner walls of refrigerator.**

– Hot and humid weather increases icing and condensation.

This is normal and not a fault.

– The doors may have been opened frequently or left ajar for a long time.

*Do not open the door frequently. Close the doors, if open.*

– The door may have been left ajar.

*Close the door completely.*



**Dew condensation occurs on the outer surface of the refrigerator or between the doors.**

- Air might be humid. This is quite normal in humid weathers.  
*Condensation will disappear when the humidity level decreases.*
- There might be external condensation at the section between two doors of the refrigerator if you use your product rarely.  
This is normal. Condensation will disappear upon frequent use.

**There is a bad odour inside the refrigerator.**

- No regular cleaning may have been performed.  
*Clean the inside of the refrigerator sponge, lukewarm water or carbonated water.*
  - Some vessels or packaging materials may cause the odour.  
*Use another vessel, or packaging materials from another brand.*
  - Foods may have been placed into the refrigerator in vessels without covers.  
*Store the foods in closed vessels.*
- Microorganisms emitted from vessels without a cover may cause unpleasant odors.
- Take out expired or spoiled foods from the refrigerator.

**The door cannot be closed.**

- Food packages may be preventing the door from closing.  
*Re-locate the packages obstructing the door.*
- The refrigerator may be unstable on the floor.  
*Adjust the refrigerator feet as required to balance the refrigerator.*
- The floor may not be level or solid.  
*Make sure that the floor is level and capable of carrying the refrigerator.*

**Bins are stuck.**

- Foods may be touching the upper wall of the bin.  
*Re-organise the foods in bin.*

A	<p><b>Warning:</b></p> <p>If you can not eliminate the problem although you follow the instructions in this section, consult your dealer or the Authorized Service Provider. Never attempt to repair a malfunctioned product.</p>
---	---

Введение.....	87
Информация по технике безопасности .....	88
Обзор холодильника.....	91
Технические характеристики .....	92
Информация по установке и подключению .....	93
Управление .....	122
Эксплуатация .....	124
Очистка и обслуживание .....	126
Устранение неполадок.....	127
Информация по гарантии .....	129
Обслуживание и запасные детали.....	130
Программа сервисного обслуживания ELEXIR .....	131
Правила утилизации .....	132

## Уважаемый покупатель!

Благодарим Вас за приобретение продукции **MILLEN**. Мы уверены, что данный холодильник займет достойное место на Вашей кухне и станет не просто прибором для хранения продуктов, а центром внимания и будет радовать Вас многие годы.

Для правильного и безопасного использования устройства, пожалуйста, ознакомьтесь со всеми пунктами данного руководства по эксплуатации. Просим Вас сохранять его на весь срок службы холодильника. В начале приведен раздел с некоторыми важными условиями безопасной работы устройства. В руководстве даны полезные советы по уходу и чистке изделия, а также содержатся рекомендации по экономии электроэнергии.

Производитель оставляет за собой право вносить изменения в конструкцию, комплектацию и технологическое устройство изделия без предварительного уведомления с целью улучшения характеристик продукции. Наша бытовая техника постоянно совершенствуется, обновляется дизайн, поэтому рисунки и обозначения, приведенные далее, могут несколько отличаться от приобретенной Вами модели.

Если в процессе эксплуатации возникнут неполадки, на последних страницах Вы сможете найти советы, которые помогут самостоятельно устранить мелкие неисправности.

**Гарантия — 3 года.** Подробные условия гарантийного обслуживания Вы найдете в гарантийном талоне внутри упаковки.

**Срок эксплуатации — 10 лет.** Производитель гарантирует, что в течение этого срока запасные части для изделия будут доступны.

При возникновении любых вопросов, связанных с покупкой, эксплуатацией и обслуживанием техники **MILLEN**, Вы можете проконсультироваться с сервисной службой по телефону **8 800 77-55-44-7**.



### Внимание

Перед использованием холодильника просим Вас внимательно ознакомиться с руководством по эксплуатации и сохранить его для дальнейшего использования. В случае утери данного руководства получить новое можно на официальном сайте: [www.millen.eu](http://www.millen.eu).

## Информация по технике безопасности

Этот раздел содержит сведения, важные для правильного и безопасного использования холодильника. Внимательно изучите все указания и следуйте им во время транспортировки, установки и эксплуатации устройства. Несоблюдение приведенных в руководстве инструкций аннулирует гарантию.

### Общая информация:

– Ваш холодильник предназначен для хранения пищевых продуктов в домашних условиях и не подходит для эксплуатации в коммерческих целях.

– Перед установкой убедитесь, что холодильник и его комплектующие не повреждены. В противном случае не устанавливайте, не подключайте и не используйте его, а свяжитесь с местом приобретения устройства.

– Если Вы обнаружили неисправность во время эксплуатации, перекройте подачу электричества и воды к прибору и обратитесь в сервисную службу.

– Обслуживание и ремонт должны проводить только квалифицированные специалисты.

– Отключайте холодильник, в том числе от сетей электро- и водоснабжения, если долго не планируете им пользоваться.

– Не используйте нагревательные приборы для ускорения размораживания, если оно потребуется.

– Не опирайтесь и не вставайте ни на какие части устройства. Оно может упасть, что может привести к травмам или повреждениям.

– Не закрывайте вентиляционные отверстия.

– Напитки, особенно с высоким содержанием алкоголя, нужно располагать вертикально в бутылках с плотно закрытыми крышками.

– Не кладите в холодильник медицинские препараты и другие вещества, которым требуются особые условия хранения.

– Если Вы отключили устройство от электросети, подождите **5 минут**, прежде чем снова подключать его.

– Не перегружайте холодильник и размещайте продукты так, чтобы они не выпали, когда Вы открываете дверцу.

– Не тяните устройство за дверцу или ящик при перемещении: они могут сломаться.

– Регулярно проводите чистку холодильника.

### Меры безопасности, которые помогут избежать поражения током:

– Отключайте холодильник от электросети на время чистки, технического обслуживания и ремонта.

– Не касайтесь вилки и кабеля питания влажными или мокрыми руками.

– Чтобы вынуть кабель из розетки, всегда беритесь за вилку, а не за шнур.

- Не подключайте холодильник к неисправной, плохо закрепленной или незаземленной розетке.
- Не мойте устройство под струей воды и не допускайте, чтобы на него проливались любые другие жидкости.
- Не используйте для ухода за холодильником пароочистители.

### **Меры пожарной безопасности:**

- Механические повреждения системы охлаждения могут привести к утечке хладагента. Если есть риск утечки, не используйте холодильник и не зажигайте огонь в помещении, чтобы избежать возгорания.
- Не используйте для очистки устройства аэрозоли.
- Не кладите в холодильник легковоспламеняющиеся и взрывоопасные вещества.

### **Меры безопасности для холодильников с подключением к системе водоснабжения:**

- Холодильник можно подключать только к источнику холодной воды (**0,6–38 °C**).
- Давление в системе должно находиться в пределах **1,7–5,5 бар**. Если оно выше, установите ограничительный клапан; если ниже **1 бара** — можно использовать дополнительный насос.
- Если Вы не знаете, как проверить давление в системе, обратитесь к квалифицированному сантехнику.
- Во время подключения необходимо соблюдать осторожность, чтобы вода не попала на электрические компоненты устройства.
- Убедитесь, что шланги не будут замерзать.

## Безопасность детей и лиц с ограниченными возможностями



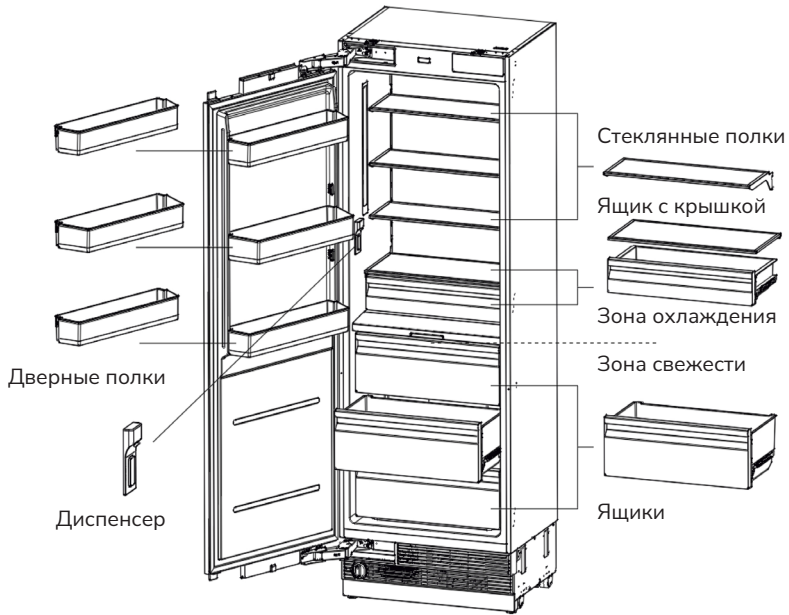
### Внимание

Не позволяйте детям играть с прибором или упаковочным материалом!

- Холодильник не предназначен для использования детьми **младше 8 лет**.
- Дети **старше 8 лет**, а также лица с ограниченными физическими, умственными или сенсорными способностями или без достаточных знаний и опыта могут самостоятельно пользоваться холодильником только при следующих условиях:
  1. Они проинструктированы о том, как правильно обращаться с устройством.
  2. Они будут находиться под постоянным присмотром ответственных за их безопасность.
  3. Приняты все меры, чтобы избежать опасной ситуации.
    - Не позволяйте детям играть с холодильником.
    - Дети могут проводить очистку устройства и осуществлять уход за ним только под постоянным присмотром взрослых.
    - Перед утилизацией холодильника снимите дверцу и ящик, чтобы дети не могли закрыться внутри.

Обзор холодильника

Изображения приведены для справки, разные модели могут отличаться.



## Технические характеристики

Модель	МБИ470SDMaxPro
Тип установки	Встраивание
Цвет	Белый
Материал дверцы	ПКМ
Наличие, тип дисплея	Да, сенсорный
Тип управления	Электронное
Перенавешиваемые дверцы	Да
Тип направляющих для встраиваемых моделей	Металлические
Полезный объем, л	470
Количество камер	1
Объем холодильной камеры, л	470
Диапазон температур в холодильной камере, °C	0...+8
Тип разморозки холодильной камеры	No Frost
Количество полок холодильной камеры	3
Количество ящиков холодильной камеры	1
Объем зоны свежести, л	180
Количество ящиков зоны свежести	3
Звуковой сигнал при открытой дверце	Да
Тип освещения	LED
Климатический класс	ST (+16...+32 °C)
Дополнительные функции	Суперохлаждение, сигнал о повышении температуры, «Отпуск», Sabbath, энергосбережение
Уровень шума, дБ	43
Тип хладагента	R600a
Класс энергопотребления	A+
Энергопотребление в год, кВт ·ч	366
Длина кабеля, мм	250
Размеры устройства, мм	2123 × 756 × 592
Размер упаковки, мм	2300 × 820 × 670
Вес нетто/брутто, кг	131/145



## Информация по установке и подключению

Установку и подключение должен проводить квалифицированный специалист. Для работы потребуются защитные очки и перчатки.



### Предупреждение

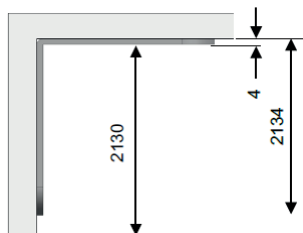
Система охлаждения устройства содержит хладагент R600a, который может воспламениться при неправильном обращении с холодильником. Установите его в вертикальное положение и подождите не менее 4–6 часов перед подключением к электросети. Это особенно важно, если прибор транспортировали в горизонтальном положении.

Перед установкой внимательно прочтите инструкцию и убедитесь:

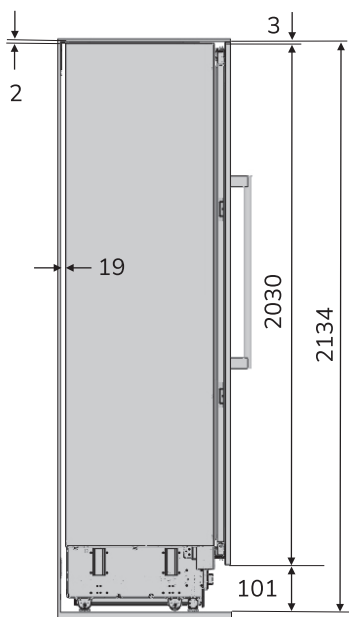
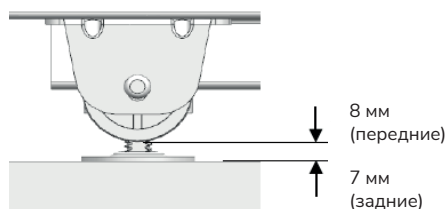
- Что ниша для встраивания имеет подходящие размеры.
- Будут соблюдены необходимые зазоры для вентиляции вокруг холодильника.
- Параметры электросети и водопровода соответствуют указанным в этом руководстве.
- Во время установки и эксплуатации всегда можно будет быстро перекрыть подачу электричества и воды к устройству в аварийной ситуации.
- Розетка, к которой подключается холодильник, надлежащим образом заземлена.

### Схема холодильника в нише

Расположение крепежной скобы



Минимальная высота регулировки ножек



Размеры холодильника: **2123 × 756 × 592 мм.**

Для высоты указано стандартное значение. Ее можно менять, регулируя ножки.

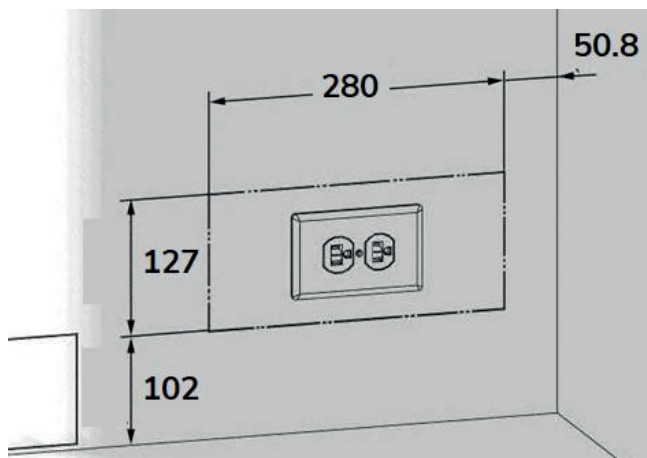
Здесь и далее размеры указаны в миллиметрах. Размеры на схемах и рисунках являются конструктивными, они могут отличаться от фактических.

### Требования к месту установки

- Не устанавливайте холодильник на открытом воздухе.
- Пол под устройством должен выдерживать нагрузку **не менее 544 кг** и быть ровным. При установке используйте уровень.
- Холодильник нельзя устанавливать на платформу и другие возвышения. Он должен стоять на полу.
- Не устанавливайте несколько холодильников вплотную друг к другу, а также рядом с источниками тепла, например духовыми шкафами или обогревателями. Минимальное безопасное расстояние от электрических источников тепла составляет **3 см**, от газовых (топливных) — **30 см**.
- Температуру в помещении следует поддерживать в пределах **13–43 °С**.
- Помещение всегда должно быть сухим и чистым.
- Кабель питания не должен касаться задней стенки холодильника.
- Если розетка находится за устройством, оставьте между ними достаточно места, чтобы не пережать кабель питания.
- После установки дверца должна открываться как минимум на **90°**.

### Требования к электросети

- Напряжение сети — **220–240 В**, частота — **50–60 Гц**.
- Подключайте холодильник к заземленной розетке.
- Не используйте адаптеры и удлинители.
- Правильное положение розетки указано на следующей схеме.



### Требования к сети водоснабжения

- Холодильник подключается к источнику холодной воды (**0,6–38 °C**).
- Давление воды — **1,7–5,5 бар**.

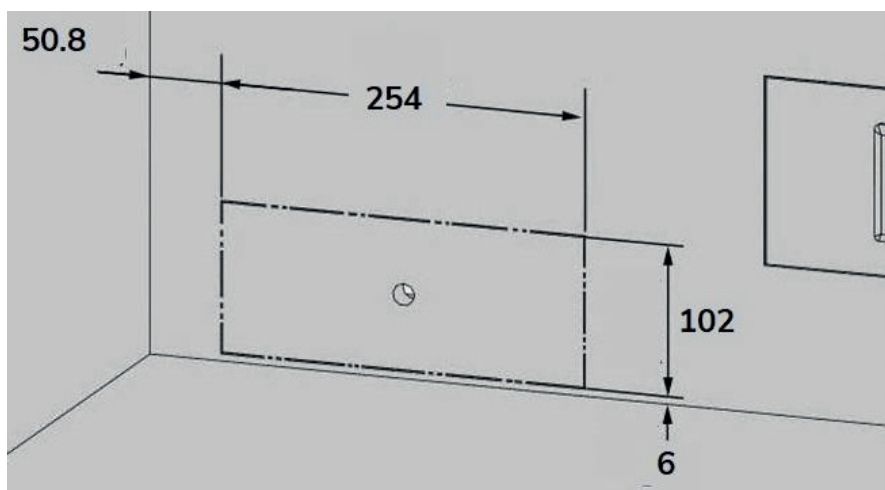
Если давление в домашней системе водоснабжения может быть выше, необходимо установить ограничительный клапан. Если давление ниже **1 бара**, можно использовать дополнительный насос.



### Внимание

Запрещается подключать холодильник к системе водоснабжения, в которой давление может превышать 5,5 бар.

- Длина шланга — **1,5 м**, диаметр — **¼ дюйма**.
- В системы холодильника должна поступать только вода, пригодная для питья (уже отфильтрованная).
- Для фильтрации по системе обратного осмоса рекомендуется использовать перепускной клапан.
- Источник воды должен всегда находиться в свободном доступе, чтобы его было легко перекрыть в аварийной ситуации.
- Шланг нужно расположить так, чтобы он не касался поверхностей и предметов, которые могут пережать или повредить его.
- После подключения необходимо убедиться, что все соединения герметичны.
- Правильное положение источника воды указано на следующей схеме.



## Требования к мебели

- Шкаф, в который будет установлен холодильник, должен устойчиво стоять на полу.
- Стенки ниши должны быть ровными и иметь толщину **не менее 16 мм**.
- Используйте уровень для выравнивания.
- Минимальная толщина декоративной панели, которая будет установлена на дверцы холодильника, — **19 мм**.
- Вокруг холодильника необходимо оставить зазоры для вентиляции.
- Размеры ниши для встраивания: **2129–1269×762×635 мм**. Высота зависит от регулировки ножек, стандартная — **2134 мм**.
- Если источник воды и розетка находятся сбоку от места установки холодильника, сделайте в стенках ниши отверстия высотой **203,2 мм** и шириной **50,8 мм** для шланга и кабеля.

## Список инструментов для установки и подключения

- |  |                      |
|--|----------------------|
| – Аккумуляторная дрель-шуруповерт.     | – Молоток.           |
| – Крестовая бита.                      | – Уровень.           |
| – Сверло диаметром 8 мм.               | – Рулетка.           |
| – Бита T27.                            | – Канцелярский нож.  |
| – Бита T25.                            | – Защитные перчатки. |
| – Бита на $\frac{1}{4}$ дюйма.         | – Защитные очки.     |
| – Гаечный ключ на $\frac{1}{2}$ дюйма. | – Стремянка.         |
| – Сверло диаметром 2,4 мм.             | – Тележка.           |

## Подготовка к установке

### Распаковка

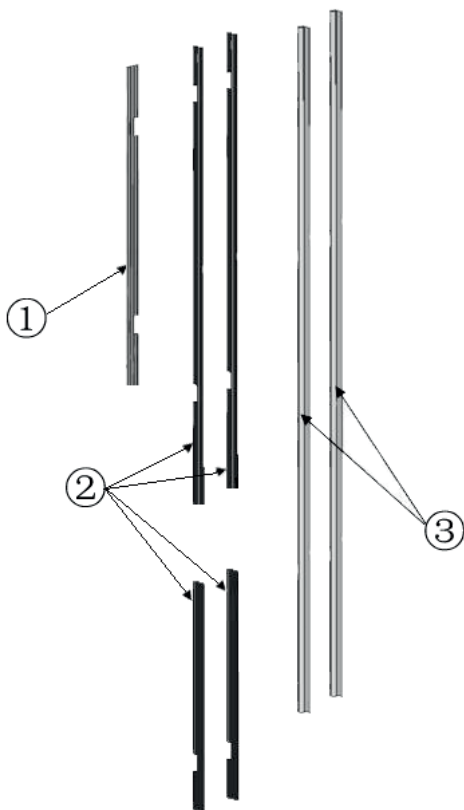
1. Разрежьте коробку по пунктирной линии канцелярским ножом.
2. Снимите коробку и упаковочные уплотнители.



### Предупреждение

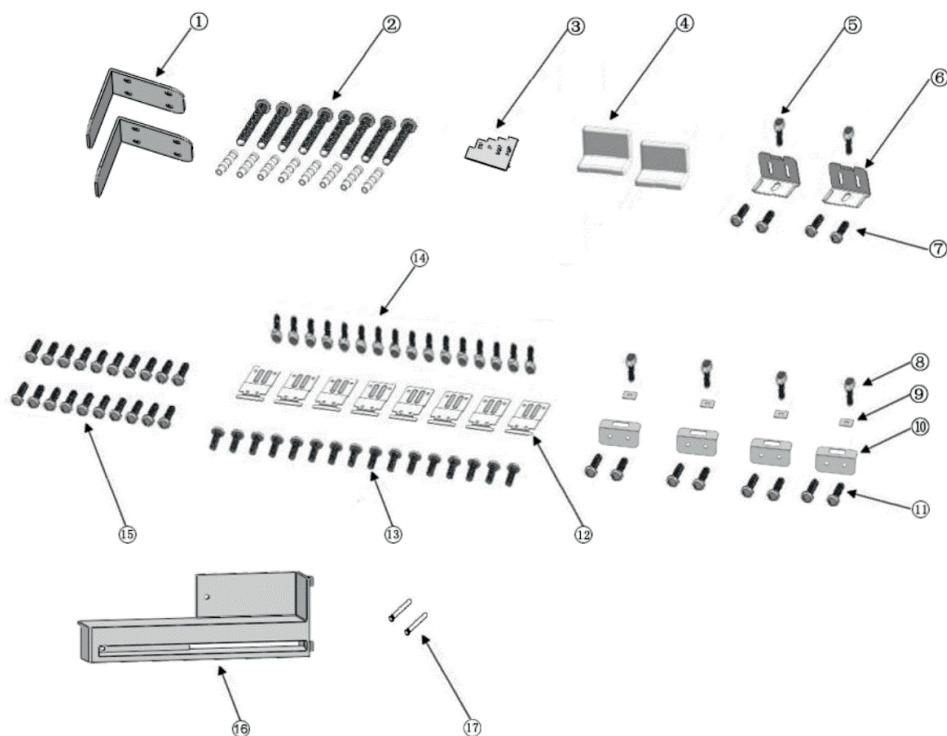
Для Вашей безопасности не удаляйте защитную ленту с верхней дверцы, пока не установите холодильник в нишу для встраивания.

3. Снимите закрепленные на задней стенке уплотнительные накладки и проверьте их комплектность:



№	Тип	Характеристики	Количество
1	Накладка для верхней части ниши	ПВХ, длина 762 мм	1
2	Боковая накладка для ниши	ПВХ, длина 1259 мм	2
		ПВХ, длина 617 мм	2
3	Боковая накладка для дверцы	ПВХ, длина 1781 мм	2

4. Выньте из морозильной камеры набор для установки и проверьте его комплектность:



№	Тип	Характеристики	Кол-во
1	Крепежные скобы	T4.0, покрытие из цинка и хрома	8
2	Винты и дюбели для крепежной скобы	M8 × 60 мм	8
3	Регулировочная деталь	Полистирол	1
4	Накладки на скобу для мебельной панели	АБС-пластик	2
5	Винты с шайбой	M4 × 12 мм	2
6	Скобы для мебельной панели	T1.0, покрытие из цинка и хрома	2
7	Винты с потайной головкой	M4 × 14 мм	4
8	Винты с шайбой	M4 × 12 мм	4
9	Уплотнительная пластина	T1.0, покрытие из цинка и хрома	4
10	Центральная крепежная скоба	T1.0, покрытие из цинка и хрома	4
11	Винты с потайной головкой	M4 × 14 мм	8
12	Скоба для ниши	T1.0, покрытие из цинка и хрома	8
13	Винты с потайной головкой	M4 × 14 мм	16
14	Винты с шайбой	M4 × 12 мм	16
15	Винты с потайной головкой	M4 × 14 мм	20
16	Крепление для вентиляционной решетки	АБС-пластик	1
17	Ограничитель для дверцы	Ø 4 мм	2

### Подготовка основания холодильника

1. С помощью шуруповерта выкрутите **5 винтов** из вентиляционной решетки, чтобы снять ее.

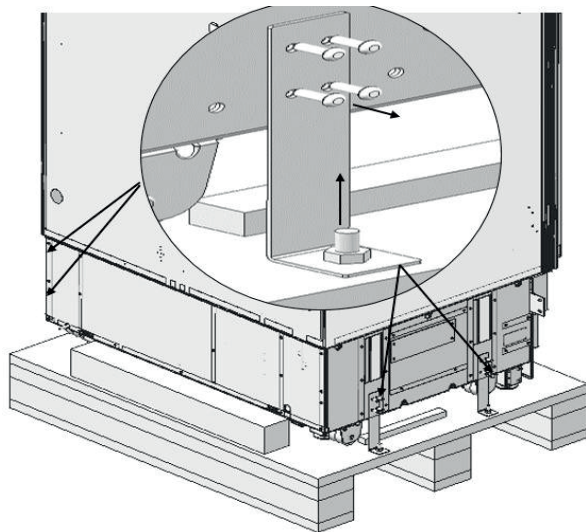


### Предупреждение

Холодильник очень тяжелый — его нельзя перемещать в одиночку!

2. С помощью шуруповерта и крестовой биты снимите скобу в основании холодильника, фиксирующую его на паллете.

3. Аккуратно наклоните устройство, с помощью тележки переместите его с паллеты на пол.



### Установка и подключение

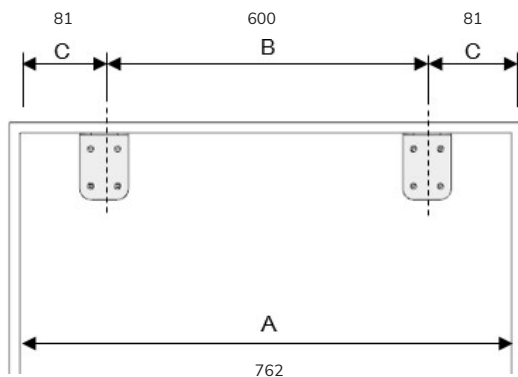
Строго соблюдайте приведенные в руководстве указания. Также рекомендуется изучить нормы местных и национальных технических служб.

### Установка фиксирующих скоб на стену

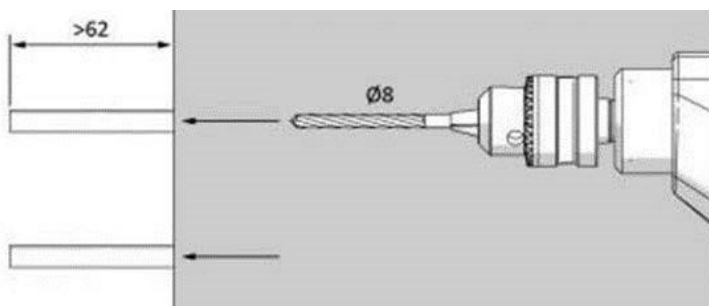
1. Убедитесь, что в месте установки скоб не проходят электрические или водные коммуникации. Наденьте защитные очки и перчатки.

2. С помощью рулетки сделайте отметки для скоб на стене (см. схему далее).





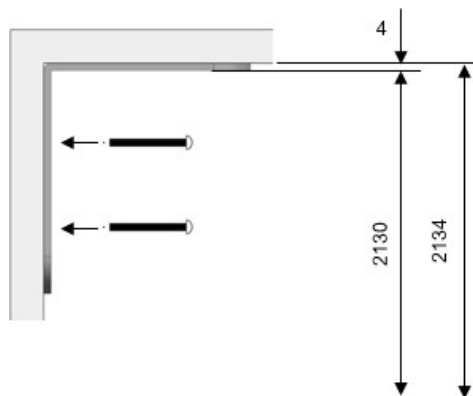
3. Используя дрель и сверло **диаметром 8 мм**, сделайте отверстия для дюбелей согласно отметкам из **шага 2**.



4. С помощью молотка установите дюбели в стену.



5. Закрепите каждую скобу на стене **4 винтами**.



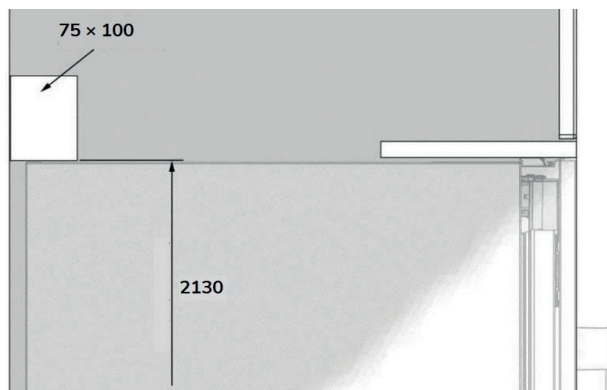
Если Вы не уверены, что крепление достаточно надежно, используйте следующий способ фиксации.

### Фиксация с помощью брусков

– Бруски должны вплотную прилегать к холодильнику, но ширина контактной поверхности не должна превышать **50,8 мм**.

– Минимальные размеры бруска: **75 × 100 мм**. Высота бруска зависит от расстояния между верхней частью холодильника и верхней частью ниши.

1. Выберите подходящие винты для крепления брусков.
2. Сделайте отметки для брусков на стене.
3. Закрепите бруски винтами.

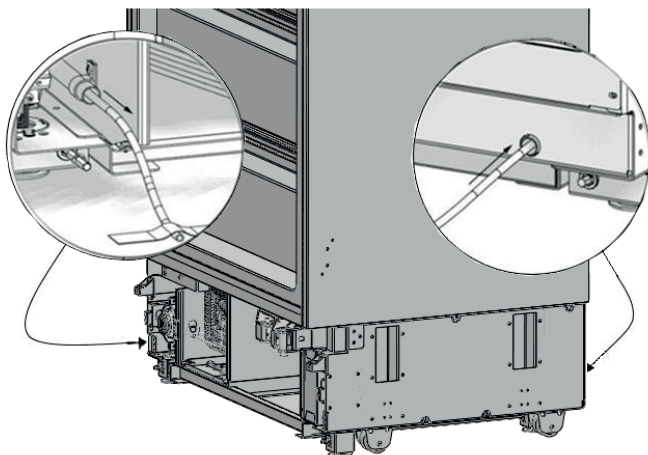


## Подключение к водопроводу

### **Внимание**

Холодильник должен быть отключен от электросети.  
Позаботьтесь о том, чтобы во время эксплуатации устройства подачу воды всегда можно было быстро перекрыть.

1. Проверьте подачу воды, затем перекройте ее.
2. Вставьте шланг в разъем в задней части основания холодильника.



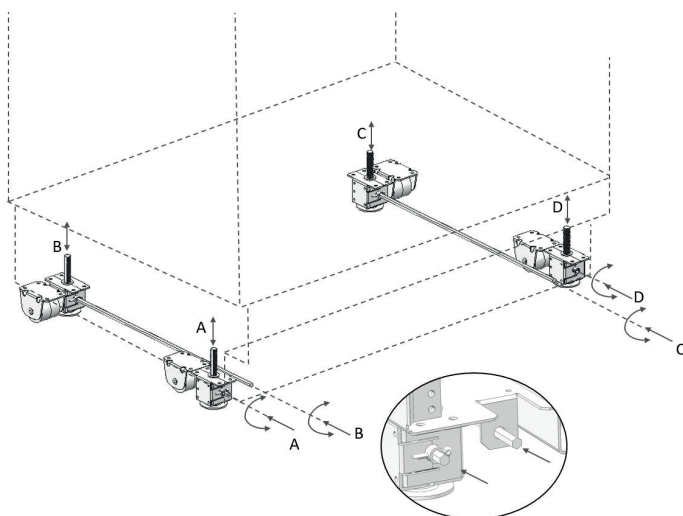
3. Обрежьте шланг канцелярским ножом, чтобы его длина составила **25 см**.
4. Подсоедините шланг холодильника к водопроводному шлангу. Не используйте удлинители!
5. Затяните соединение гаечным ключом на **½ дюйма**.
6. Откройте кран подачи воды и убедитесь, что она поступает в устройство с достаточным напором и без протечек.

## Регулировка ножек

Высоту ножек можно настроить в диапазоне **96–136 мм**.

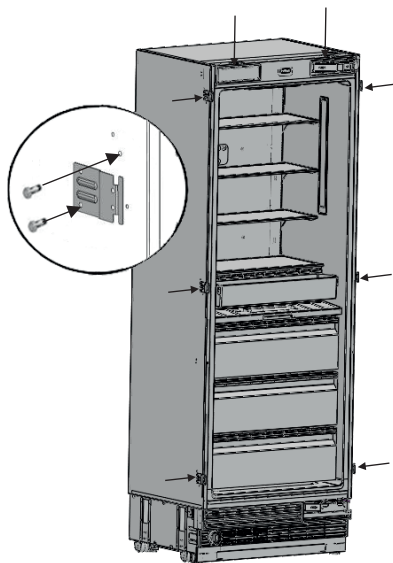
Отрегулируйте их с помощью шуруповерта и биты на **¼ дюйма**:

1. Приподнимите переднюю часть прибора, чтобы он не упал во время регулировки.
2. Чтобы увеличить высоту, поверните фиксаторы по часовой стрелке, чтобы уменьшить — против часовой стрелки.
3. После регулировки убедитесь, что холодильник устойчив.

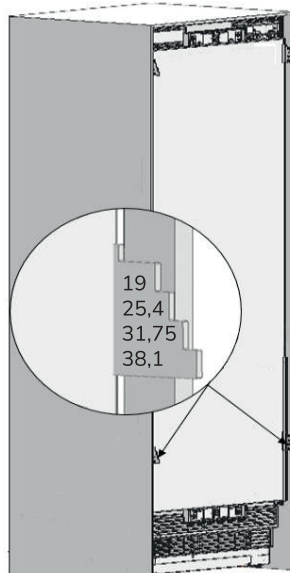
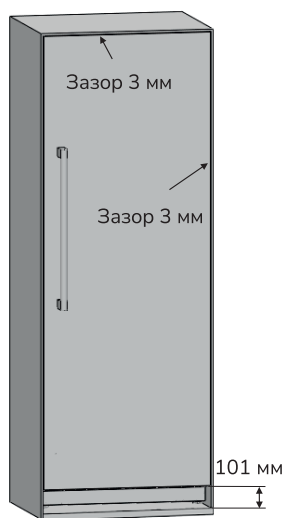


## Встраивание

1. Чтобы не повредить кабель питания при установке, его можно подвесить на леску или веревку.
2. Подключите холодильник к розетке, чтобы включить подсветку и таким образом проверить питание.
3. Установите крепежные скобы (2 наверху и по 3 на левой и правой стенках) и закрепите их винтами **M4 × 12 мм**.



4. Осторожно задвиньте устройство в нишу. Если чувствуете сопротивление, проверьте, не ослаблены ли крепления у ножек, и при необходимости затяните их.
5. Выровняйте положение холодильника в нише:
  - Для моделей, которые не требуют декоративных панелей, переднюю часть нужно выровнять по краям ниши.
  - Если на холодильник будут установлены декоративные панели, используйте регулировочную деталь из комплекта поставки: она поможет выровнять холодильник согласно толщине панелей.



6. Соедините холодильник с нишей винтами **M4 × 14 мм**. Если винты туго входят в отверстия в рабочей камере, можно аккуратно расширить их с помощью дрели.

7. Установите на место вентиляционную решетку в основании холодильника. Если нужно установить декоративный плинтус, можно немного сместить нижнюю решетку вперед или назад.



## Предупреждение

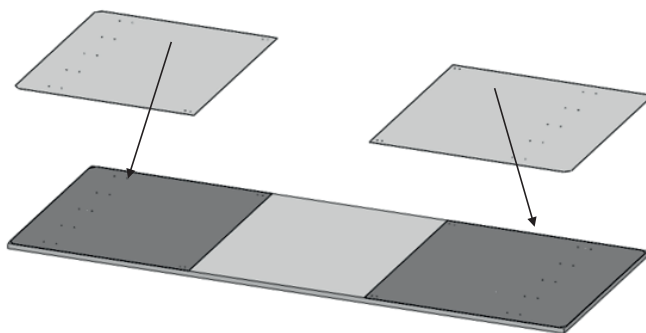
Допустимо смещение не более чем на 23 мм от стандартного положения. Плинтус не должен заходить на решетку.

## Установка уплотнителей и мебельных панелей

1. Установите уплотнители по бокам и вверху холодильника. Выемки уплотнителей должны совпасть с положением скоб.



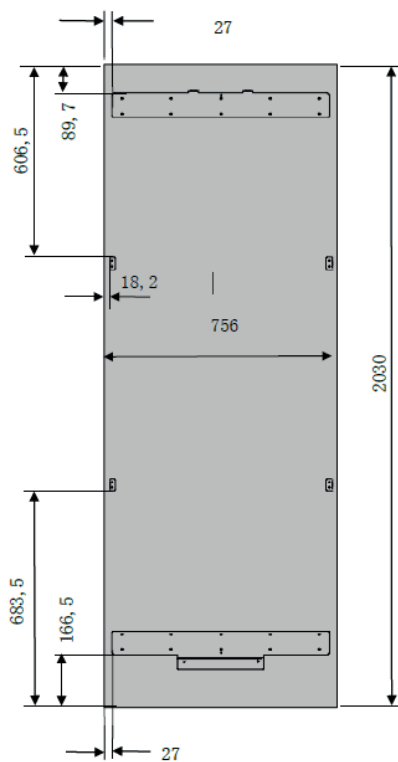
2. Используя шаблон из комплекта поставки, сделайте отметки на мебельной панели, которая будет установлена на переднюю часть холодильника.



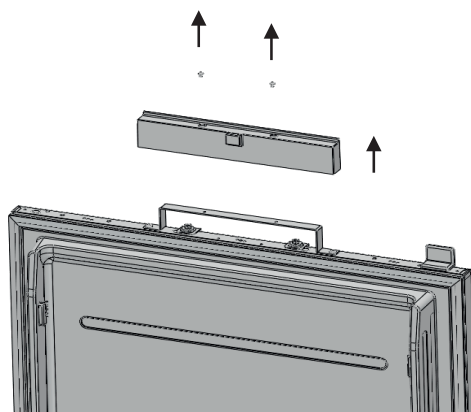
### Внимание

Максимальный вес панели — 16,5 кг.

## Размеры панели



3. Выкрутите винты из крышки крепления в верхней части дверцы, используя шуруповерт, и снимите крышки.

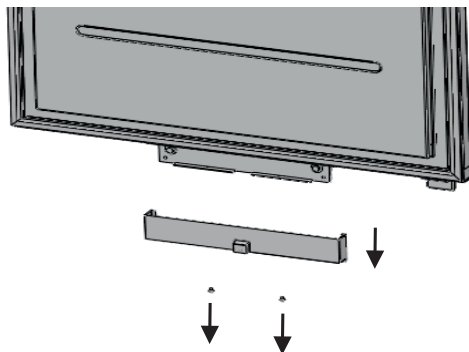




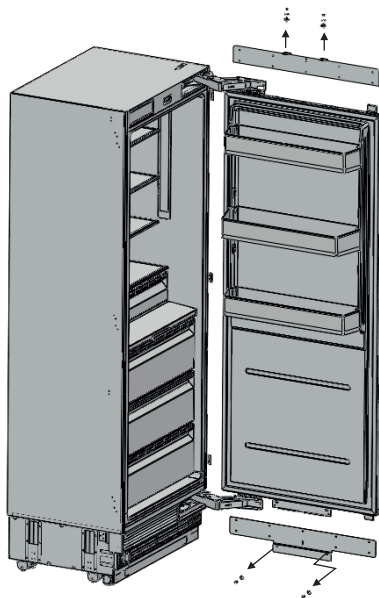
## **Внимание**

Под крышкой есть магнит, который нужен для нормальной работы механизма дверцы. Не снимайте его!

4. Выкрутите **2 винта** из крепления в нижней части дверцы, используя шуруповерт, и снимите крышку.

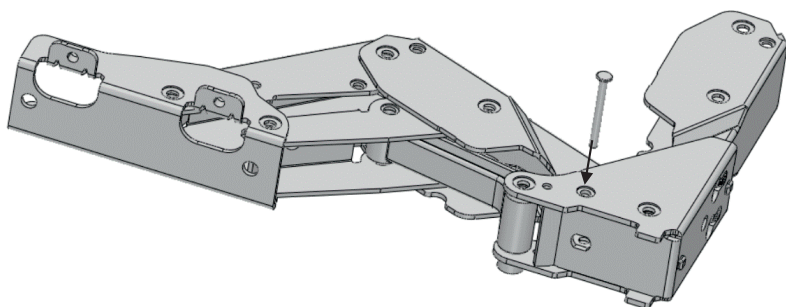
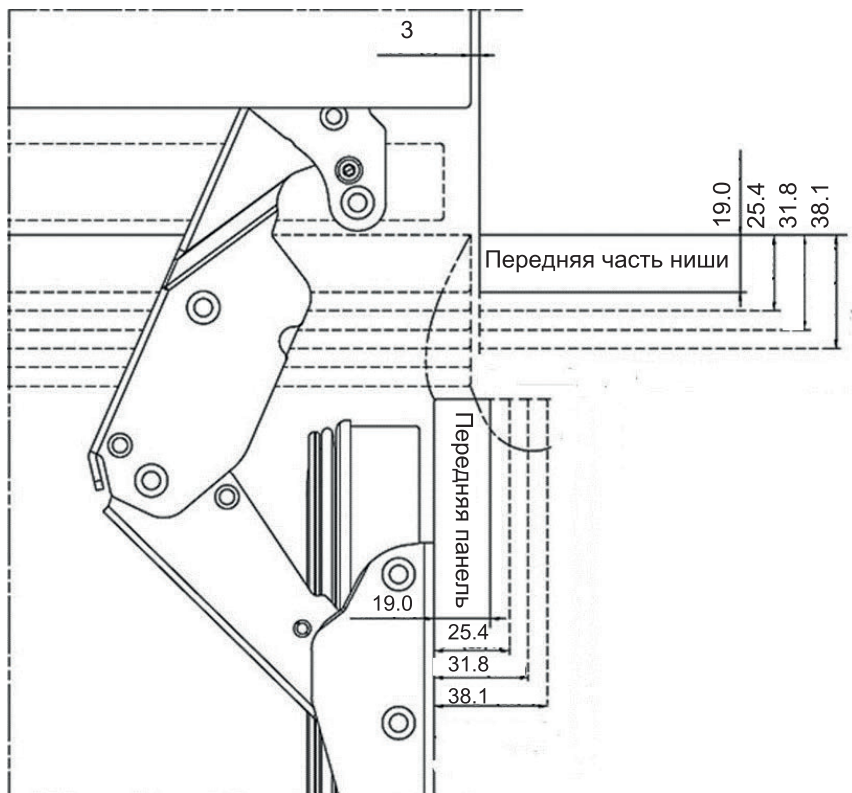


5. С помощью шуруповерта ослабьте и снимите крепления с дверцы.



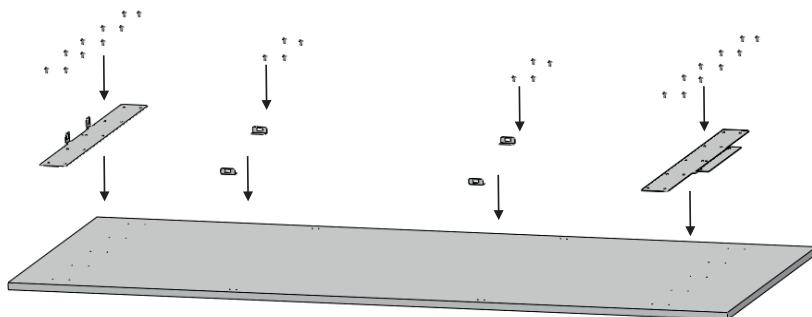
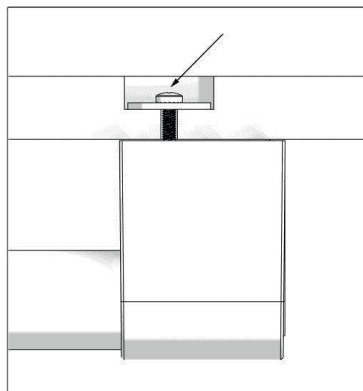
 Предупреждение

Максимальный угол открывания дверцы — **115°**. Если толщина мебельной панели **больше 38 мм**, на петлю дверцы необходимо установить ограничитель, чтобы она открывалась **не более чем на 90°**.



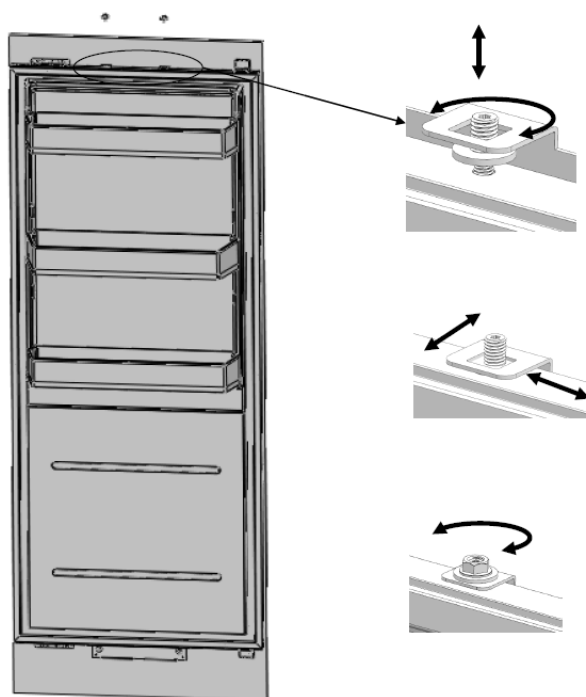
6. Установите и закрепите с помощью винта ручку дверцы. Крышка винта не должна выходить за границу выемки (см. рисунок).

7. Установите крепления для мебельной панели и зафиксируйте их винтами **M4 x 14 мм**. Можно использовать шаблон.

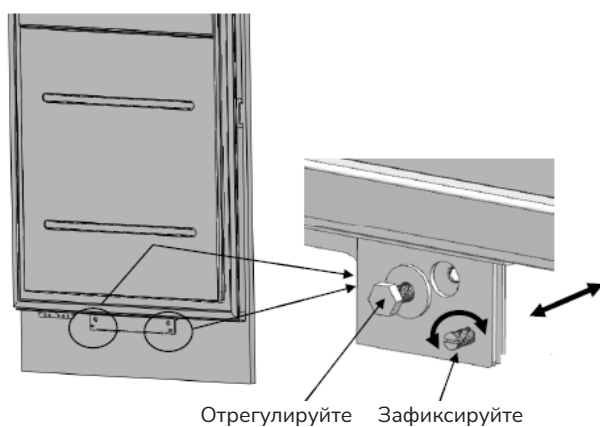


8. Совместите мебельную панель с дверцей.

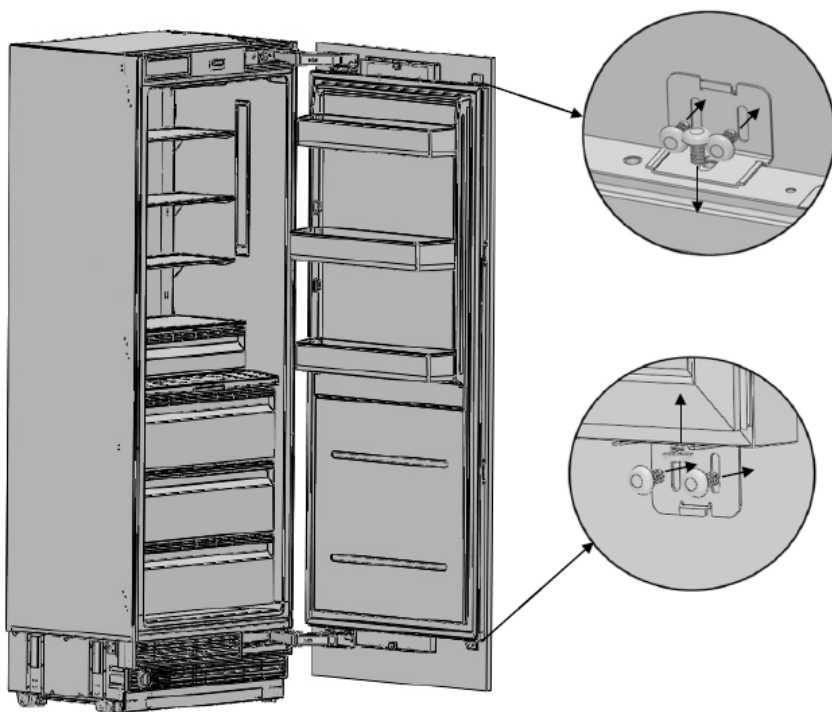
9. Выровняйте положение верхней части панели с помощью **2 болтов**, как показано на рисунке.



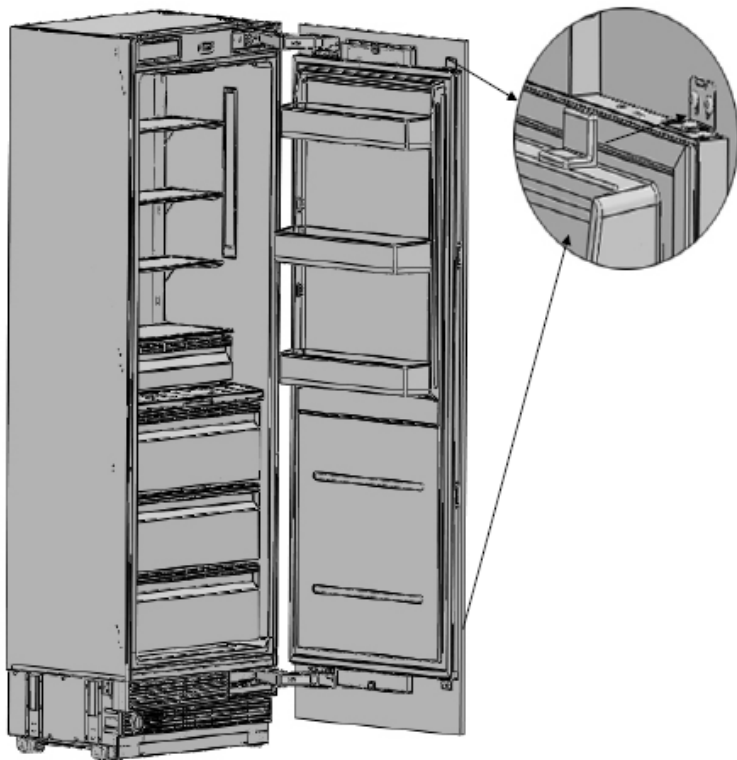
10. Выровняйте и зафиксируйте нижнюю часть дверцы с помощью шуруповерта и биты **T25**.



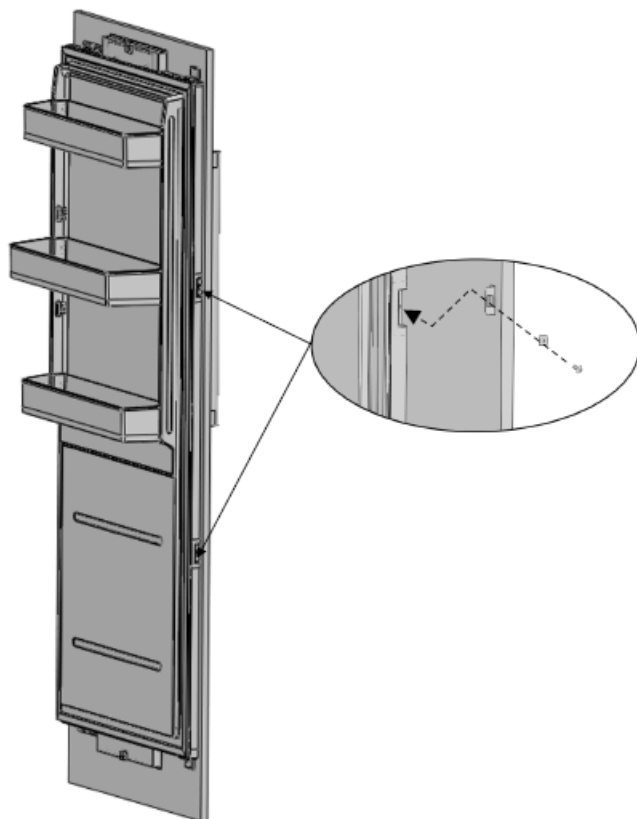
11. Закрепите углы панели, используя по 2 винта M4 x 14 мм + 1 винт M4 x 12 мм.



12. Установите накладку на крепежные скобы в верхнем и нижнем углу с левой стороны дверцы.



13. Установите крышки на крепления в верхней и нижней части дверцы.



14. Закрепите скобы на боковой части дверцы с помощью винтов **M4 x 12 мм** и уплотнительных пластин.



## Предупреждение

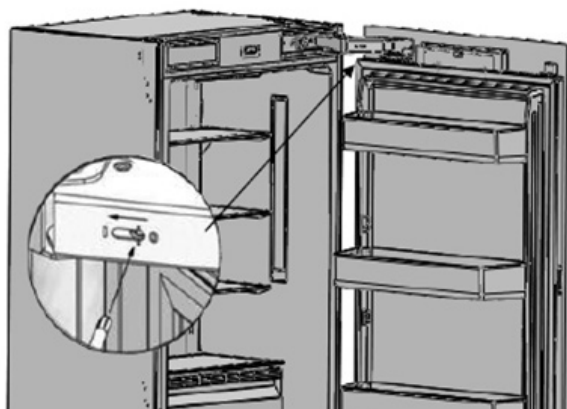
Если какие-либо элементы из комплекта поставки остались не задействованы, сохраните их: они могут понадобиться для перенавешивания дверцы.

15. Установите боковые накладки по обеим сторонам.

16. При необходимости также отрегулируйте дверные петли: полностью откройте дверцу и с помощью дрели-шуруповерта переместите регулировочные винты, чтобы затянуть или ослабить петли.

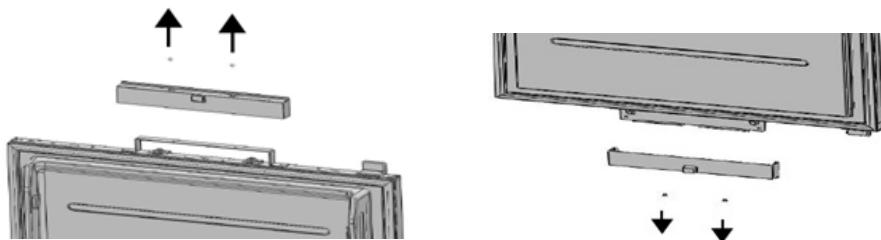
### **Внимание**

Для регулировки дверцу нужно полностью открыть.



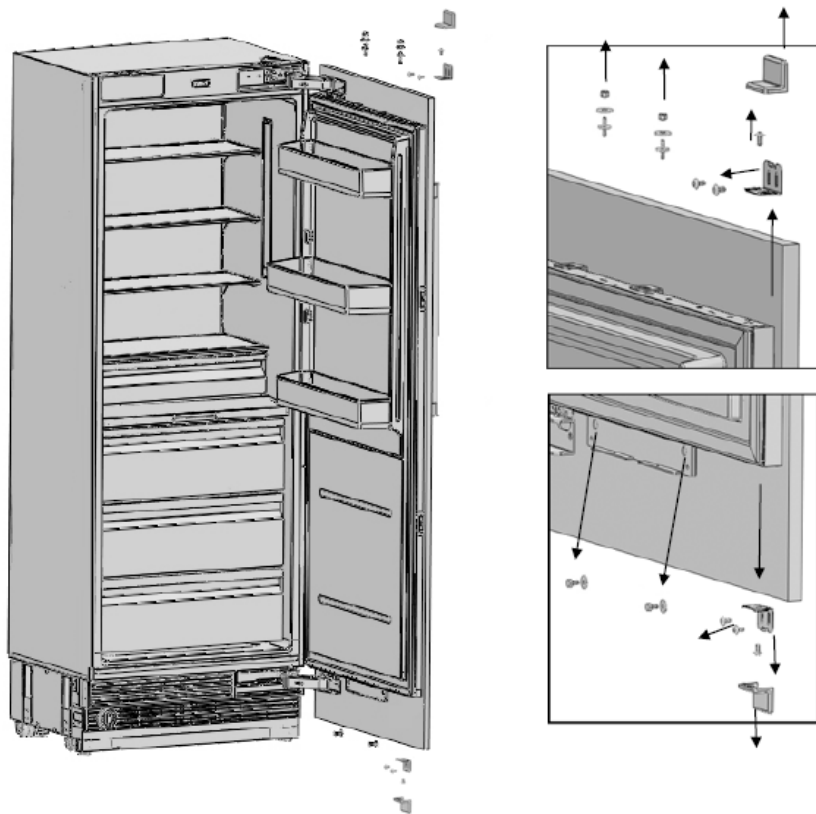
### **Перенавешивание дверцы**

1. Переместите регулировочные винты петель **в положение 0**, если они находятся в другом положении.
2. Снимите боковые накладки с дверцы.
3. С помощью шуруповерта ослабьте по **2 винта** на крышках креплений в верхней и нижней частях дверцы и снимите крышки.

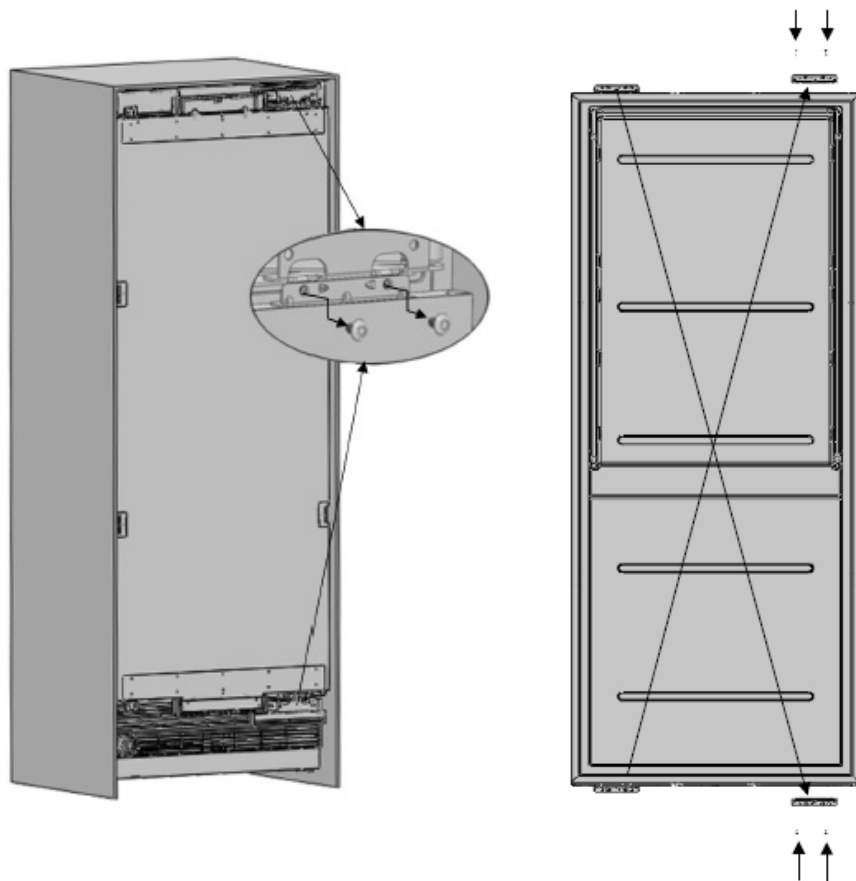




4. Попросите кого-нибудь придержать мебельную панель и отсоедините ее от дверцы холодильника, сняв все крепежные элементы в верхней и нижней части. Отложите панель.

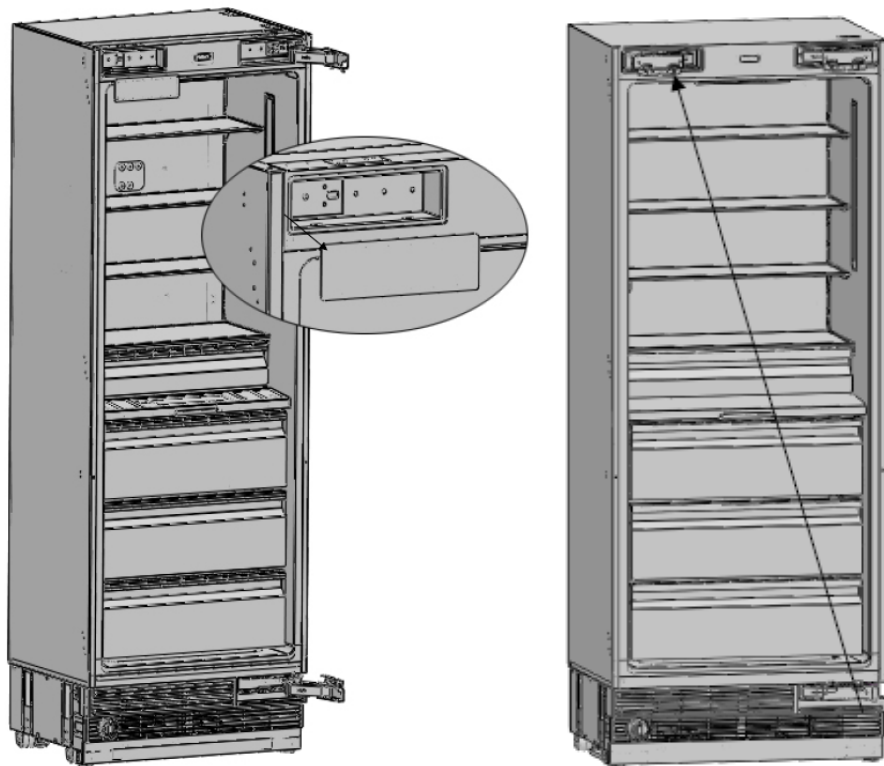


5. Попросите кого-нибудь придержать дверцу и выкрутите винты из креплений дверных петель с помощью шуруповерта.



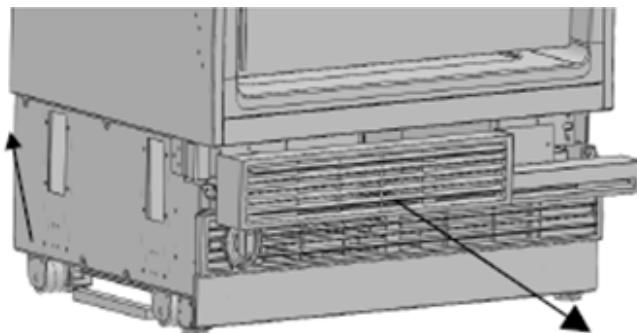
6. Положите дверцу на ровную горизонтальную поверхность, снимите крепления и зафиксируйте их на противоположных углах.

7. Снимите крышки с отверстий для верхней и нижней петель на стороне, противоположной той, где они были установлены ранее.

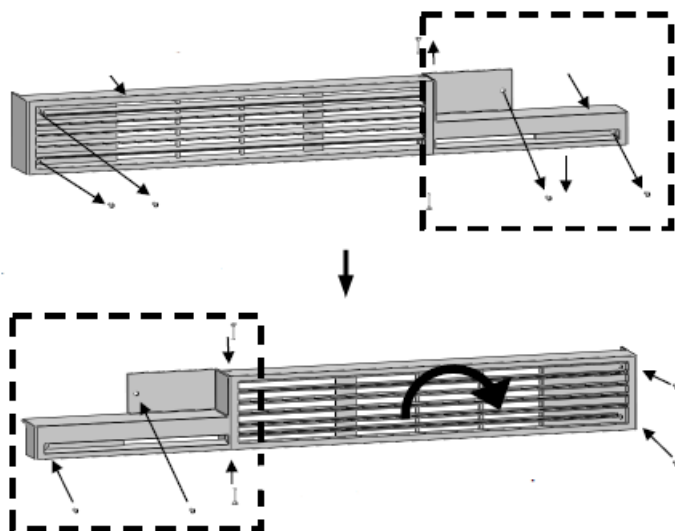


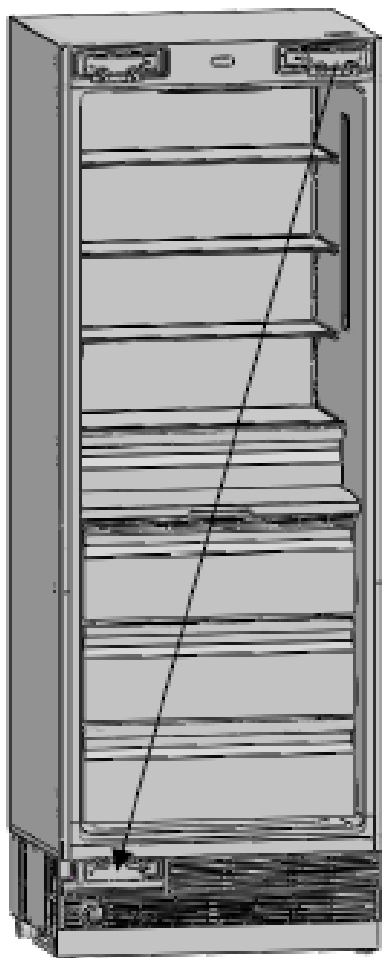
8. Используя шуруповерт с битой **T27**, выкрутите **2 винта** из нижней правой петли и закрепите ее в верхнем левом углу.

9. Переустановите вентиляционную решетку, как показано на рисунках ниже.



10. Используя шуруповерт с битой **T27**, выкрутите **2 винта** из верхней правой петли и закрепите ее в нижнем правом углу.



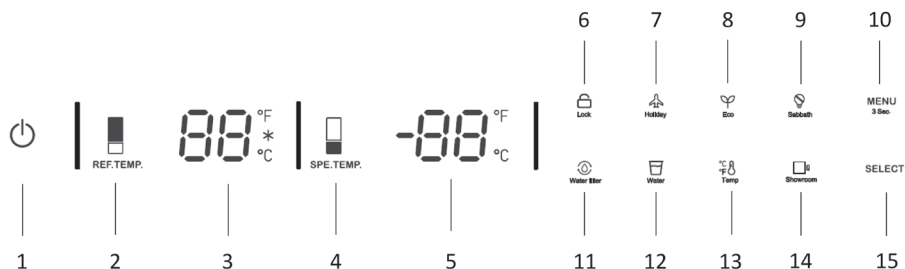


11. Закройте освободившиеся отверстия для петель крышками.

12. Установите дверцу и мебельную панель, выполнив перечисленные выше действия в обратном порядке — **от шага 5 к шагу 2:**

- Закрепите дверцу холодильника на петлях.
- Установите на нее мебельную панель.
- Установите крепления и их крышки вверху и внизу дверцы.
- Установите на дверцу боковые накладки.

## Управление



1. Кнопка включения/выключения
2. Кнопка настройки температуры в холодильной камере
3. Дисплей холодильной камеры
4. Кнопка настройки температуры в зоне свежести
5. Дисплей зоны свежести
6. Индикатор блокировки панели управления
7. Индикатор функции **Отпуск**
8. Индикатор энергосбережения
9. Индикатор функции **Sabbath**
10. Кнопка выбора функций
11. Индикатор замены фильтра
12. Индикатор диспенсера воды
13. Индикатор выбора единиц измерения температуры
14. Индикатор функции демонстрации
15. Кнопка подтверждения настройки

Нажмите — устройство начнет работать через **5 секунд**.






Настроить температуру можно нажатием соответствующих кнопок на панели управления: **REF. TEMP.** — для холодильной камеры, **SPE. TEMP.** — для зоны свежести. Значения будут меняться на дисплее рядом с каждой кнопкой.

Если еще раз нажать кнопку **REF. TEMP.** после того, как дисплей покажет минимальное значение (**+2 °C**), загорится символ снежинки и активируется режим **Суперохлаждение**. Его можно использовать, если требуется охладить много продуктов. Холодильник вернется к предыдущим настройкам автоматически, когда температура в рабочей камере выровняется.

**Блокировка** : чтобы включить/отключить блокировку панели управления, нажмите MENU на **3 секунды**.

## Функции

Для выбора функций нажимайте кнопку **MENU**, пока на дисплее не подсветится нужный символ. Чтобы подтвердить выбор, нажмите **SELECT**. Для отключения функции еще раз нажмите **MENU**.

- **Отпуск**  : в холодильной камере установится температура **+17 °C**.
- **Sabbath**  : дисплей и звуковые сигналы будут отключены, но холодильник продолжит работу.
- **Энергосбережение**  : в холодильной камере установится температура **+8 °C**, в зоне свежести — **+5 °C**.
- **Выбор единиц измерения**  : позволяет переключаться между градусами Цельсия (°C) и Фаренгейта (°F).
- **Диспенсер**  : активирует диспенсер воды на стенке холодильной камеры.



### Предупреждение

Если диспенсер не использовали в течение 48 часов, слейте воду из системы и заново заполните резервуар. Если диспенсер не использовали в течение 5 дней, промойте систему, пропустив через нее около 2 литров воды.

## Эксплуатация

– Перед первым использованием очистите холодильник от загрязнений, которые могли появиться на производстве и в процессе установки (см. раздел «Очистка и обслуживание»).

– После первого включения дайте устройству поработать **6 часов** перед загрузкой в него продуктов.

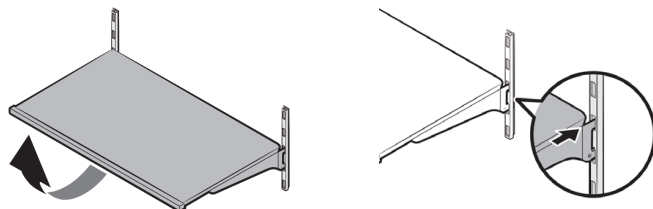
– Не перегружайте камеры и дверные полки. Максимальная нагрузка на полки дверцы — **25 кг**.

### **Примечание**

При включении Вы услышите шум: заработает компрессор, жидкости и газы будут распределяться по системе охлаждения. Также могут немного нагреваться передние края холодильника. Оба состояния являются нормальными.

### **Снятие полок**

- Не устанавливайте дверные и стеклянные полки на одинаковом уровне.
- Чтобы снять дверную полку, приподнимите и выньте ее из держателей.
- Чтобы снять стеклянную полку, приподнимите ее переднюю часть и выньте полку из держателей.



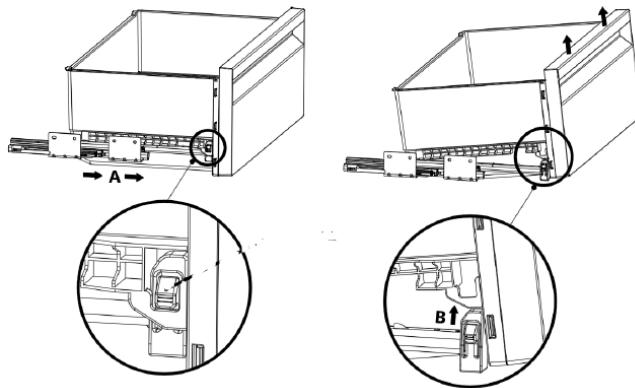
### **Предупреждение**

Если нужно опустить полку в воду для очистки, дождитесь, пока она согреется до комнатной температуры.

### **Снятие и установка ящиков**

1. Чтобы вынуть ящик, выдвиньте его на максимальное расстояние.
2. Аккуратно вытащите ящик из креплений и выньте его.
3. Чтобы установить ящик, полностью выдвиньте направляющие.
4. Совместите углы в задней части ящика с креплением на заднем конце направляющих.
5. Аккуратно надавите на ящик, чтобы он зафиксировался в направляющих.





### Рекомендации по хранению

- Соблюдайте указания производителей на упаковке.
- Храните продукты в контейнерах или другой упаковке небольшими порциями.
- Материал упаковки должен выдерживать низкие температуры.
- Не храните овощи и фрукты в пластиковых пакетах, лучше использовать перфорированную бумагу или другой материал, который не даст им быстро испортиться.
- Размещайте продукты так, чтобы они не мешали друг другу. Например, киви, груши, персики, томаты, огурцы, брокколи, латук, капуста, петрушка и шпинат выделяют этилен, поэтому их нельзя хранить с другими овощами и фруктами, иначе они быстро испортятся.

### Советы для экономии энергии


- Не перегружайте рабочие камеры.
- Выбирайте место установки так, чтобы на прибор не попадал прямой солнечный свет, а источники тепла находились на расстоянии не менее **30 см** от холодильника.
- Не оставляйте дверцу открытой надолго.
- Не кладите в холодильник неостывшие продукты.
- Следите, чтобы продукты в ящиках не касались температурных датчиков.
- Своевременно очищайте холодильник и проводите техническое обслуживание.

## Очистка и обслуживание

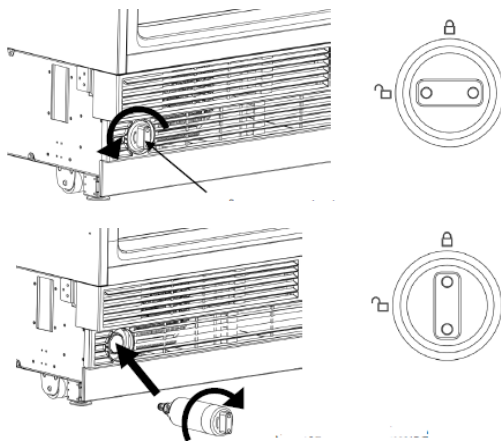
Регулярная очистка продлевает срок службы техники и способствует экономии энергии.

- Выключайте холодильник перед очисткой.
- Используйте слабый мыльный раствор или растворите чайную ложку соли угольной кислоты в литре воды, протрите устройство влажной мягкой тканью и вытрите насухо.
- Не используйте мыльный раствор с высокой концентрацией и средства, содержащие легковоспламеняющиеся или едкие вещества.
- Не используйте острые предметы и пылесосы.
- Холодильника рекомендуется чистить каждые **15 дней**, конденсатор — **раз в полгода**.
- Сразу удаляйте пятна от маслянистых продуктов.
- Следите, чтобы вода не попадала на электрические компоненты.
- Если Вы долго не планируете пользоваться холодильником, очистите его и оставьте приоткрытым.

### Замена картриджа фильтра для воды

Если на дисплее загорается символ , нужно заменить картридж фильтра для воды. Он находится в основании холодильника. Его нужно менять через каждые **6 месяцев** или после фильтрации примерно **640 литров** воды.

1. Поверните крышку фильтра против часовой стрелки и выньте картридж.
2. Вставьте новый картридж и поверните по часовой стрелке.



3. После замены нажмите кнопку SELECT на **5 секунд**.
4. Отфильтруйте и слейте примерно **2 литра** воды.

## Устранение неполадок

В этом разделе приведены советы для устранения распространенных неполадок. Если эти рекомендации не помогли, обратитесь в сервисную службу.

Проблема	Возможная причина	Решение
Холодильник не включается	Вилка плохо вставлена в розетку	Проверьте соединение
	Перегорел предохранитель	Замените предохранитель
	Нет электричества	Проверьте, работают ли другие приборы
Конденсат в холодильном отделении	Дверцу открывают слишком часто	Не открывайте дверцу без необходимости
	Дверца неплотно закрыта	Плотно закрывайте дверцу
	Высокая влажность в помещении	Устанавливайте холодильник в сухом помещении
	Испарение от продуктов	Храните продукты в закрытых контейнерах
Не работает компрессор	Сработал предохранитель компрессора	Подождите <b>5–7 минут</b> . Если компрессор не включится, обратитесь в сервисную службу
	Цикл разморозки	Никаких действий не требуется: это нормальное состояние
	Неправильные настройки температуры	Установите подходящие настройки
Шум или вибрация	Шум от компрессора, газов или жидкостей в системе	Никаких действий не требуется: уровень шума может меняться в зависимости от цикла работы
	Холодильник не выровнен	Выровняйте устройство
	На холодильнике что-то лежит	Ничего не кладите на прибор
	Шум из вентиляции	Никаких действий не требуется: это нормальное состояние
Конденсат на внешней поверхности холодильника	Высокая влажность в помещении	Устанавливайте холодильник в сухом помещении
	Холодильник редко используют	Никаких действий не требуется: это нормальное состояние

Проблема	Возможная причина	Решение
Неприятный запах	Испортились продукты	Уберите испортившиеся продукты
	Загрязнения в рабочей камере	Проведите очистку
	Сильно пахнущие продукты хранятся незакрытыми	Поместите продукты в закрытый контейнер
	Продукты упакованы в неподходящий материал	Используйте упаковку, устойчивую к низким температурам
Дверца или ящик не закрываются	Продукты неправильно размещены	Расположите продукты так, чтобы они не мешали полностью закрывать камеры
	Холодильник наклонен вперед	Установите устройство ровно
Ящик не открывается	Продукты неправильно размещены	Расположите продукты так, чтобы они не мешали открывать ящик

## Информация по гарантии

Сохраняйте гарантийный талон на холодильник. На элементы и аксессуары, приобретаемые в дополнение, гарантия не распространяется. Материалы, которые необходимо заменить с течением времени и в зависимости от интенсивности использования, как указано в руководстве по эксплуатации, не подпадают под действие гарантии. Данная гарантия не распространяется на сбои, возникающие в результате ненадлежащего или коммерческого использования, и следующие ситуации:

1. Любые повреждения и неисправности, возникающие в результате установки и использования устройства с нарушением инструкций, приведенных в руководстве.
2. Любые повреждения и неисправности, связанные с транспортировкой холодильника после его доставки заказчику.
3. Любые повреждения и поломки из-за низкого или чрезмерного напряжения, неправильной электрической установки, использования при напряжении, которое отличается от указанного на табличке изделия.
4. Повреждения и неисправности из-за пожара и/или молнии.
5. Вмешательство в конструкцию и ремонт оборудования кем-либо, кроме уполномоченного лица.
6. Проблемы, возникающие при монтаже любых деталей, кроме поставляемых производителем.

Продавец, дилер, агентство или представитель, у которого потребитель приобретает изделие, несет ответственность за выдачу и доставку гарантийного талона потребителю. Фальсификация гарантийного талона, удаление оригинального серийного номера с продукции делает гарантию недействительной.

В случае несоблюдения мер предосторожности, указанных в руководстве в отношении изделий из нержавеющей стали, могут появиться почернение, окисление и волны на поверхности. Такие условия не подпадают под действие гарантии.

### **Предупреждения по транспортировке и обработке**

Во время обработки соблюдайте указания знаков на картонной коробке.

### **Если требуется транспортировка:**

Сохраняйте оригинальную упаковку.

Перевозите в оригинальной упаковке и соблюдайте указания знаков на упаковке.

Если оригинальная упаковка недоступна, не помещайте тяжелые предметы на холодильник.

### Соблюдайте следующие меры:

1. Приобретая холодильник, получите гарантийный талон.
2. Если Вам требуется обслуживание изделия, обратитесь в авторизованный сервисный центр.

**Срок службы — 10 лет.** Производитель гарантирует, что в течение этого периода запасные детали для изделия будут доступны.

### Обслуживание и запасные детали

При необходимости Вы можете приобрести запасные детали для холодильника в авторизованном сервисном центре. В упаковке находится список сервисных центров. Чтобы запросить запасную деталь при обращении в сервисный центр или к дилеру, укажите версию изделия из таблицы внутри корпуса.

Если Вы соблюдаете все инструкции, но неисправность остается, можете связаться с сервисным центром.

### Сервисная служба

При возникновении любых вопросов, связанных с покупкой, эксплуатацией и обслуживанием техники **MILLEN**, вы можете проконсультироваться по телефону с сервисной службой **8-800-77-55-44-7**.

Подробные условия гарантийного обслуживания Вы найдете в гарантийном талоне внутри упаковки.



# Благодарим Вас за выбор техники MILLEN!

Мы заботимся о наших покупателях на каждом шаге взаимодействия с брендом: от момента выбора и до гарантийного обслуживания.

Если Вы столкнулись с неисправностью в работе техники, оставьте заявку на обслуживание на официальном сайте [elixer.pro](https://elixer.pro)



Программа Elixir распределяет заявки только в **авторизованные сервисные центры**, прошедшие аттестацию службы качества бренда MILLEN.



### **100% оригинальные запчасти**

Все запчасти производитель MILLEN напрямую отправляет в сервисные центры мастеров.



### **Квалифицированные мастера ремонта**

крупной встраиваемой бытовой техники.



[elixer.pro](https://elixer.pro)



Утилизируйте упаковку с соблюдением правил экологической безопасности.

Материалы, используемые для упаковки данного изделия, пригодны для вторичной переработки.

Перед тем как утилизировать отслужившее изделие приведите его в нерабочее состояние, чтобы оно не представляло опасность.

Для этого отсоедините холодильник от сети питания и обрежьте кабель питания. Для защиты окружающей среды важно, чтобы старые приборы утилизировались надлежащим образом.

Не утилизируйте данное изделие вместе с бытовым мусором.

Значок в виде перечеркнутого мусорного бака на колесах:

Запрещается утилизировать электрооборудование вместе с несортированными бытовыми отходами, используйте специализированные пункты сбора отходов. Обратитесь в местные органы власти для получения информации о ближайших пунктах сбора.

Когда электрооборудование отправляется на мусорные полигоны, то опасные вещества, попав в грунтовые воды и далее в пищевые цепочки, могут навредить вашему здоровью и самочувствию. В зависимости от законодательных требований, при замене старого прибора на новый дилер может быть обязан забрать ваш старый прибор для утилизации, как минимум бесплатно.

**Согласно ст. 26 законодательного декрета от 14 марта 2014 года № 49 «Исполнение директивы 2012/19/ЕС об утилизации отходов электронного и электрического оборудования (RAEE)»: знак перечеркнутого мусорного бака, приведенный на приборе или на его упаковке, означает, что по завершении срока службы прибора его необходимо утилизировать отдельно от других отходов.**

Поэтому пользователь должен будет сдать отслуживший прибор в подходящие муниципальные центры по отдельному сбору отходов электронного и электрического оборудования.

В качестве альтернативы самостоятельной утилизации можно сдать прибор дилеру в момент приобретения нового равнозначного прибора.

Кроме того, в точках продаж электронных, электрических изделий, площадь которых превышает **400 м<sup>2</sup>**, можно, приобретая новое изделие, бесплатно, без каких-либо обязательств сдавать электронные приборы размером менее **25 см**, подлежащие утилизации.

Надлежащий отдельный сбор отходов, отслуживших электроустройств для последующей переработки и утилизации, совместимый с охраной природы, позволяет избежать негативного воздействия на окружающую среду и здоровье людей, а также способствует повторному использованию материалов, из которых состоит прибор



**MILLEN** активно участвует в сохранении окружающей среды:

- Осуществлен переход к использованию материалов, уменьшающих воздействие на окружающую среду в процессах производства и эксплуатации.
- В производстве применяются более экологически чистые хладагенты.
- Сокращено потребление энергии и воды, как в процессе производства техники, так и путем внедрения экономичных решений в модели техники.
- Используем перерабатываемые и переработанные материалы в производстве самой бытовой техники и в упаковке.

**Техника MILLEN соответствует стандартам устойчивого развития и оценкам экологических характеристик.**

Путаетесь в терминах, связанных с переработкой? Словарик всего из пяти слов поможет разобраться:



**1. Разборка отходов** — начальный этап переработки, когда из всего, поступившего для переработки, выбирают только то, что подходит для вторичного использования.



**2. Сортировка отходов** — уже отобранные элементы, детали, части корпусов сортируют в зависимости от материала изготовления: пластик, металл, стекло и т. д.



**3. Рециклинг** — применение отходов по прямому назначению, а также их возврат в производственный цикл (после определенной подготовки).



**4. Утилизация отходов, брака, отслуживших изделий** — их повторное применение, использование для изготовления чего-то нового, сюда входят и оказание услуг, и выполнение работ, и рециклинг.



**5. Переработка** — в отличие от утилизации это именно процесс превращения отходов в энергию или новую продукцию.

Для улучшения качества жизни на всех уровнях мы предлагаем каждому участвовать в экологичной утилизации — не выбрасывать, а сдавать отслужившую технику.



Manufacturer / Производитель:

QINGDAO XINXING HOUSEHOLD APPLIANCE CO., LTD. No. 7 Road Beian Office Jimo Qingdao, Made In China.

Importers:

Vybor Ltd, 197375, Russia, Saint Petersburg, Verbnaya street, 27A. Technoland Ltd, 19 7375, Russia, Saint Petersburg, Verbnaya street, 27A, 7-N (№ 8). Technomir LLC, 188640, Russia, Vsevolozhsk, Vsevolozhskiy avenue, 72.

Импортеры:

ООО «Выбор» (Vybor Ltd), 197375, Россия, г. Санкт-Петербург, ул. Вербная, д. 27, лит. А.  
ООО «Технолэнд» (Technoland Ltd), 197375, Россия, г. Санкт-Петербург, ул. Вербная, д. 27, лит. А, помещ. 7-Н (№ 8).  
ООО «Техномир» (Technomir LLC), 188640, Россия, г. Всеволожск, пр-кт Всеволожский, д. 72.

The serial number is indicated on the device in the following format: **SAAAAAYMMBBBB**, where **SAAAAA** represents the model code, **YY** indicates the manufacturing year, **MM** represents the manufacturing month, and **BBBBB** indicates the model number within the batch.

Серийный номер указан на устройстве в следующем формате: **SAAAAAYMMBBBB**, где **SAAAAA** — код модели, **YY** — год изготовления, **MM** — месяц изготовления, **BBBBB** — номер модели в партии.

[www.millen.eu](http://www.millen.eu)





Manufacturer:

QINGDAO XINXING HOUSEHOLD APPLIANCE CO., LTD.  
No. 7 Road Beian Office Jimo Qingdao, Made In China.

LEMAL LLC-FZ is the official importer and distributor of MILLEN kitchen appliances in the UAE.

Importer:

LEMAL LLC-FZ

الشركة المصنعة

اسم الشركة  
ليمال ش.ذ.م.م منطقة حرة

مستوردين

مركز الأعمال 1، طابق الميزانين، فندق الميدان، ند الشبا، دبي، الإمارات العربية المتحدة



LEMAL.AE

يتم توضيح رقم التسلسل على الجهاز بتنسيق التالي: SAAAAAYMMBBBB

حيث SAAAAA يمثل رمز النموذج، YY

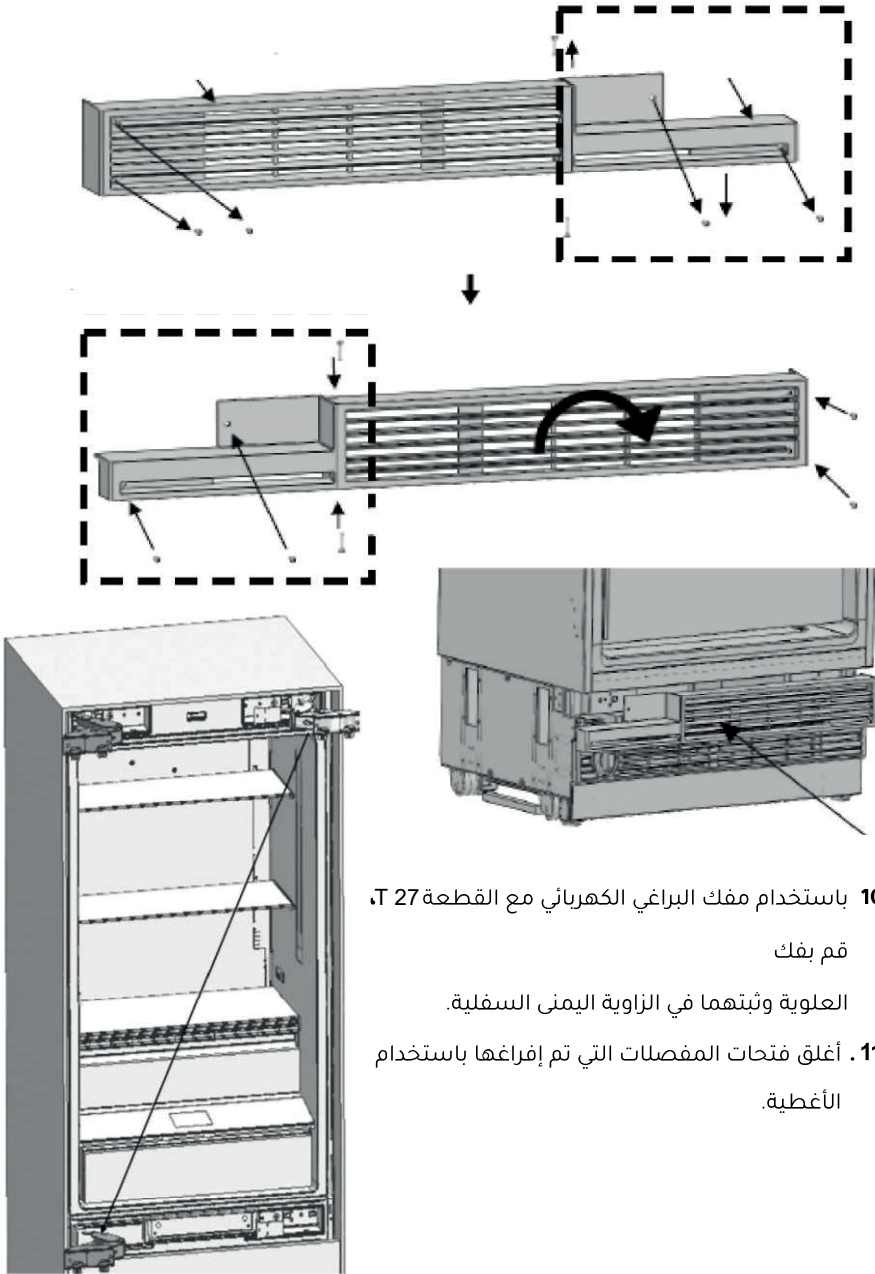
يشير إلى سنة التصنيع، MM يمثل شهر التصنيع، وBBBBB يشير إلى رقم النموذج في الدفعة.

12. قم بتركيب الباب ولوحة الأثاث عن طريق تنفيذ

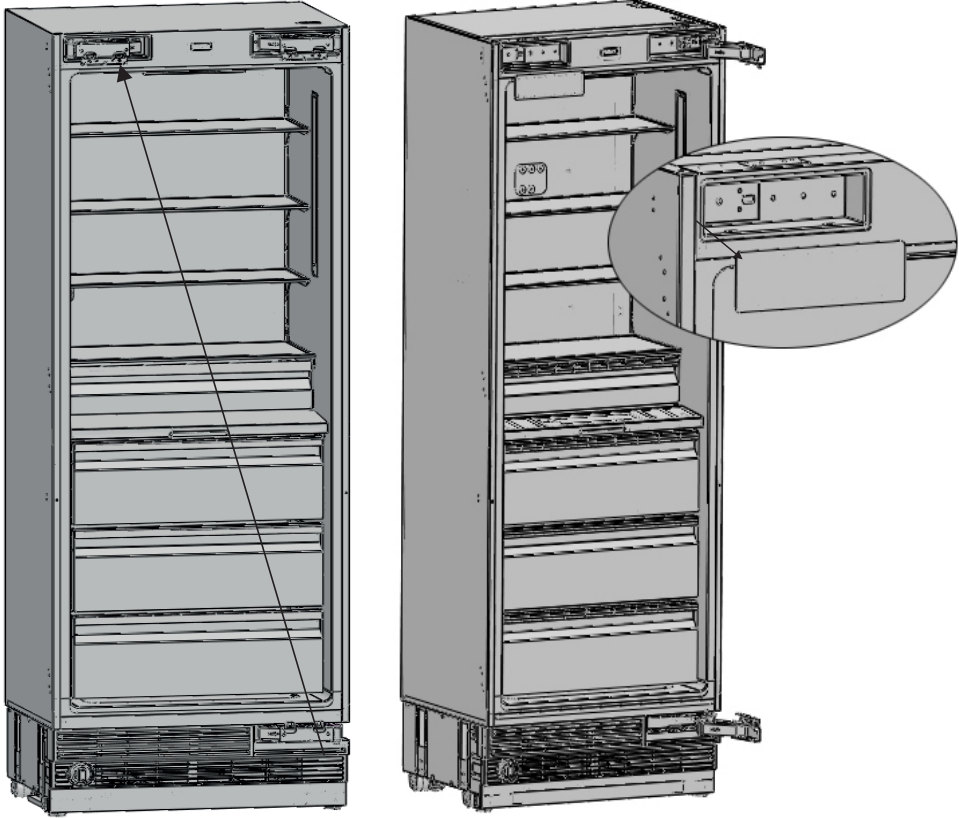
الخطوات المذكورة أعلاه بترتيب عكسي من

## الخطوة 5 إلى الخطوة 2:

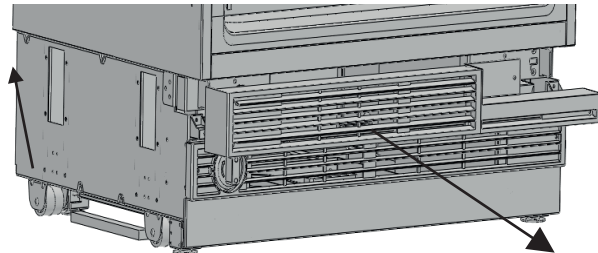
- ثبت باب النجاة على المفصلات.
- قم بتركيب لوحة الأثاث عليه.
- قم بتركيب عناصر التثبيت وأغطيها في الجزء العلوي والسفلي من الباب.
- ثبت الأغصية الجانبية على الباب.



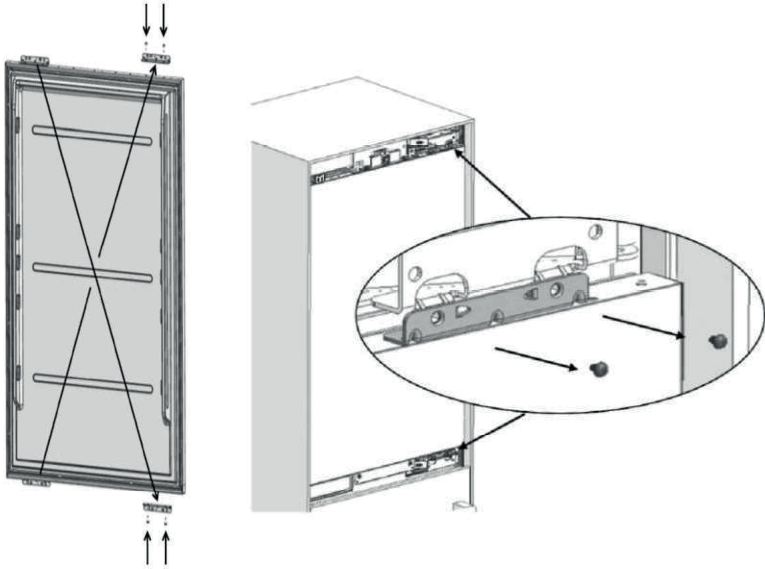
7. انزع الأغطية عن فتحات المفصلات العلوية والسفلية على الجانب المقابل للمكان الذي كانت مثبتة فيها سابقًا.



8. باستخدام مفك البراغي الكهربائي مع القطعة T 27، قم بفك اثنتين (2) من البراغي من المفصلة اليمنى السفلية وثبتهما في الزاوية اليسرى العليا.  
9. أعد تركيب شبكة التهوية كما هو موضح في الصور أدناه.

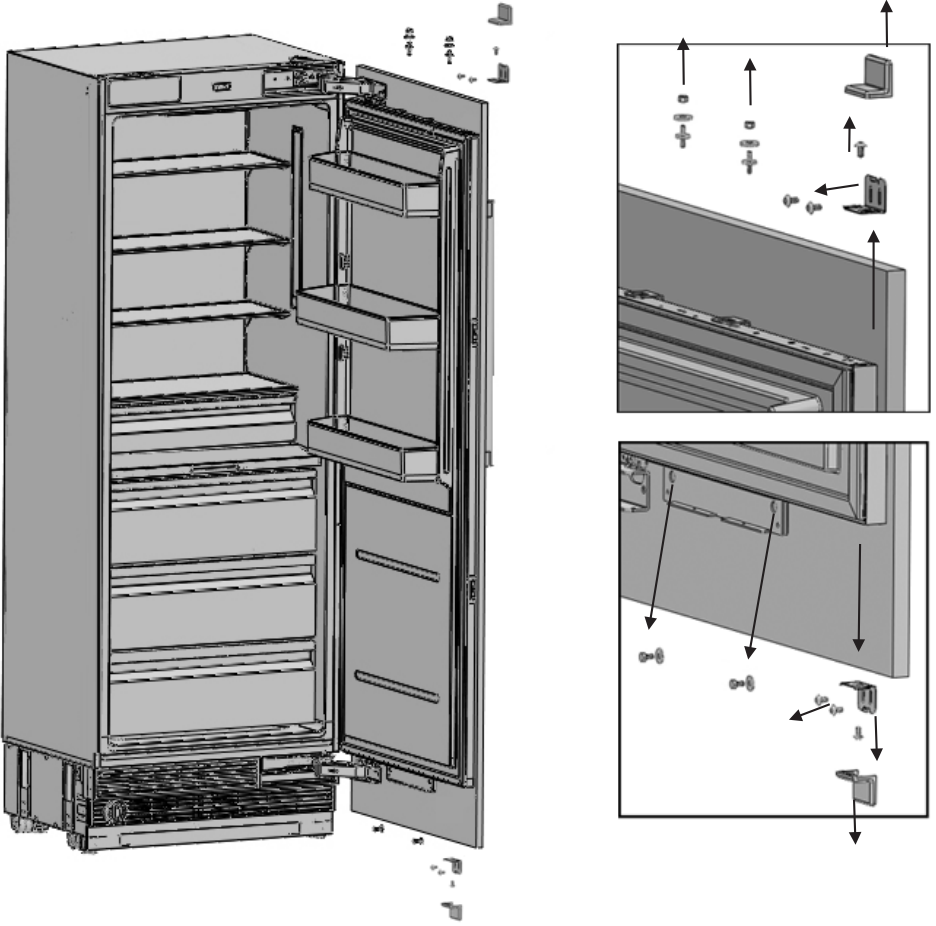


5. اطلب من شخص ما أن يمسك الباب ويفك البراغي من مفصلات الباب باستخدام مفك البراغي الكهربائي.



6. ضع الباب على سطح أفقي مستو. وقم بنزع عناصر التثبيت وثبتها في الزوايا المقابلة (انظر الرسم التوضيحي).

4. اطلب من شخص ما أن يمسك لوحة الخزانة ونزعها من باب الثلاجة عن طريق إزالة جميع عناصر التثبيت الموجودة في الأعلى والأسفل. ضع اللوحة جانبًا.

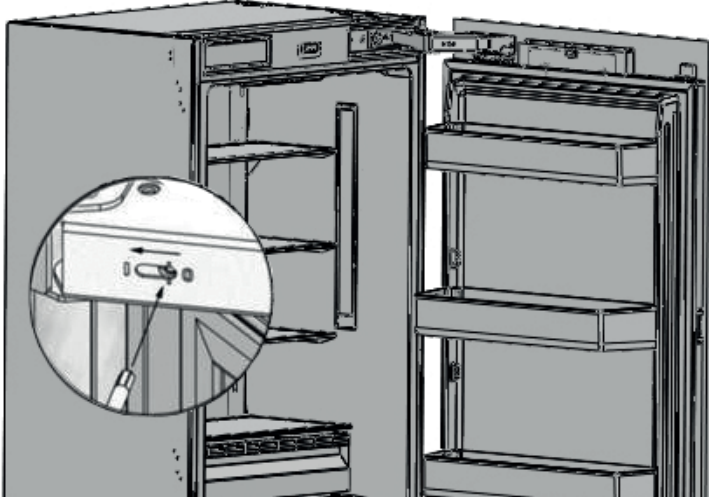




16. اضبط أيضاً مفصلات الباب إذا اقتضت الحاجة لذلك: افتح الباب تماماً واستخدم المثقاب/مفك البراغي الكهربائي وانقل براغي ضبط الارتفاع لإحكام ربط المفصلات أو فكها.

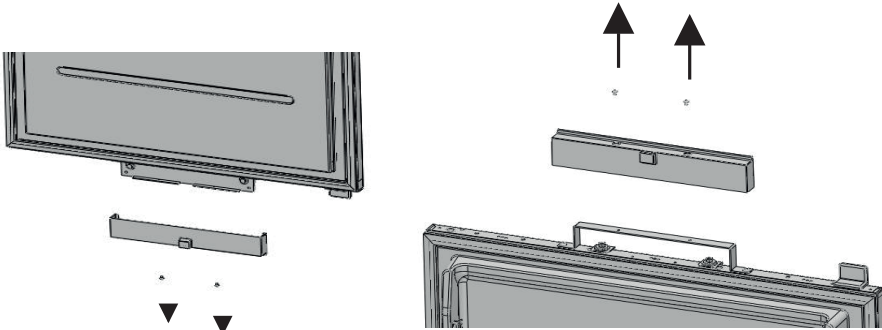


لضبط الباب، يجب أن يكون الباب مفتوحاً بالكامل.

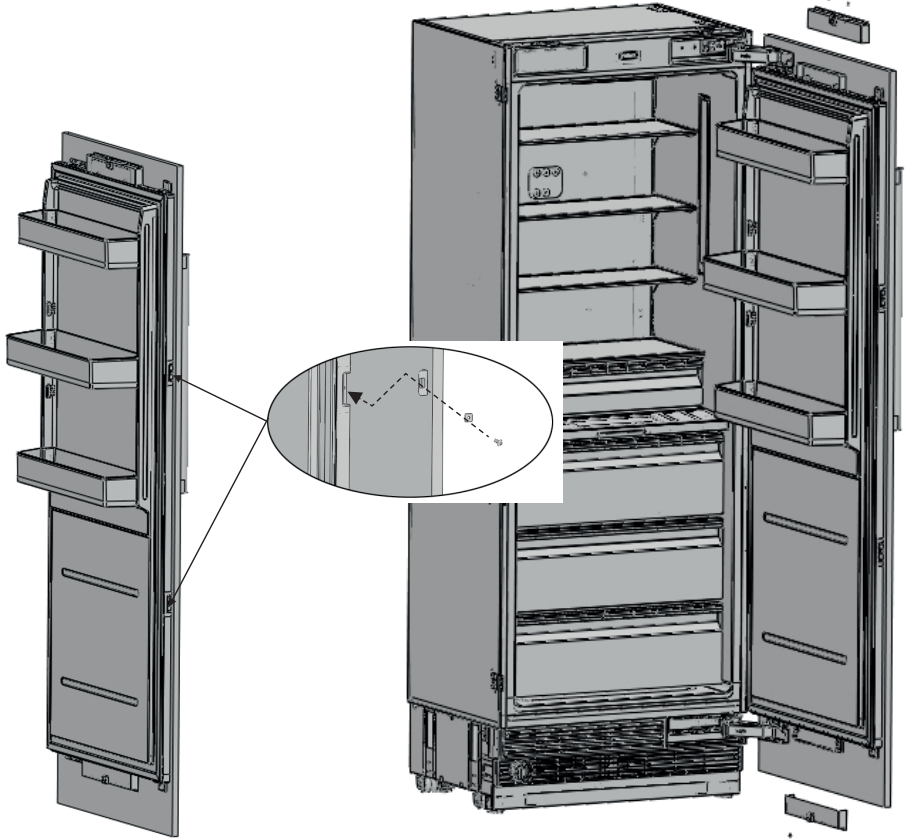


## تغيير جهة فتح الباب

1. حرك براغي ضبط المفصلة إلى **الموضع 0** إذا كانت موجودة في موضع مختلف.
2. انزع الأغطية الجانبية عن الباب.
3. باستخدام مفك براغي كهربائي، قم بفك **اثنين (2) من البراغي** الموجودة على أغطية التثبيت في الجزء العلوي والسفلي من الباب وانزع عنها الأغطية.



13. تُبَتُّ الأغطية على عناصر التثبيت الموجودة في الجزء العلوي والسفلي من الباب.



14. ثبت المشابك على جانب الباب باستخدام البراغي والصفائح المانعة للتسرب  $M4 \times 12$  مم.

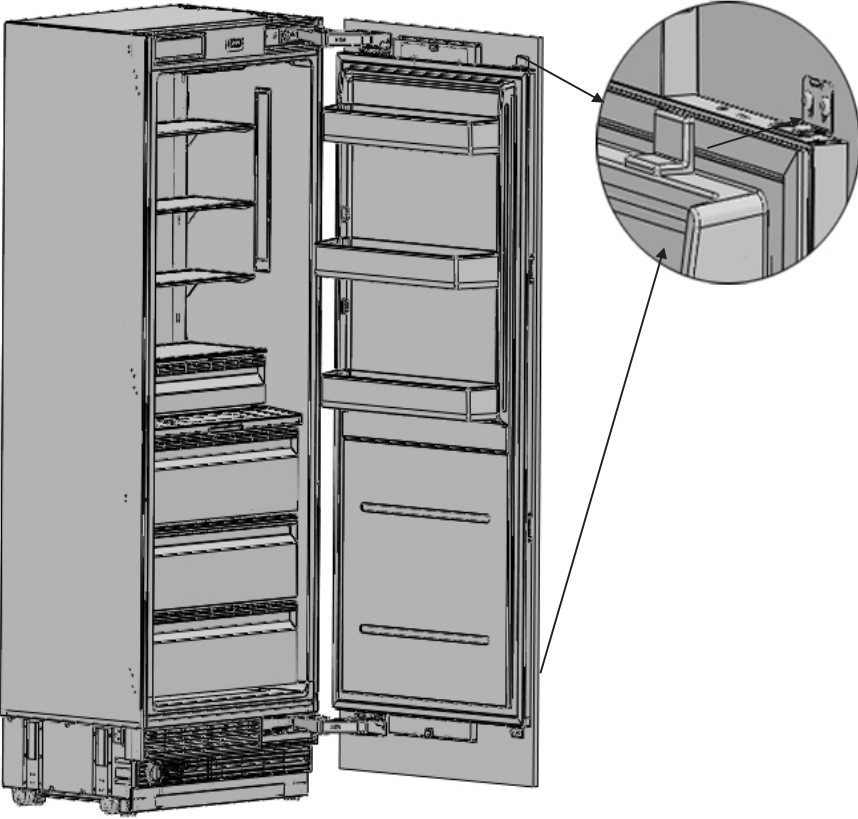


تحذير

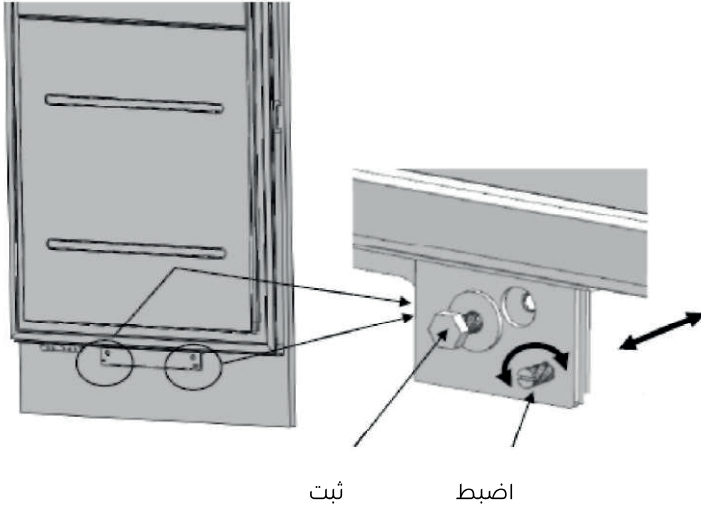
إذا بقيت أي من مجموعة التوصيل غير مستخدمة، فاحفظها؛ فقد تكون هناك حاجة إليها لإعادة تعليق الباب.

15. تُبَتُّ الأغطية الجانبية على طرفي ألواح.

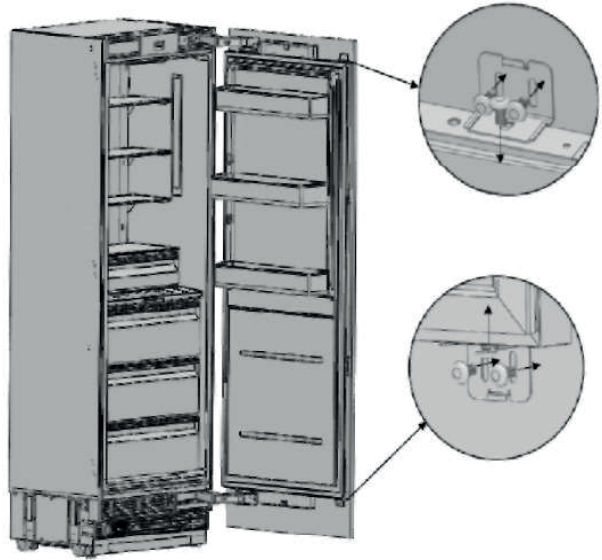
12. ثبت الأغطية على مشابك التثبيت في الزوايا العلوية والسفلية على الجانب الأيسر من الباب.



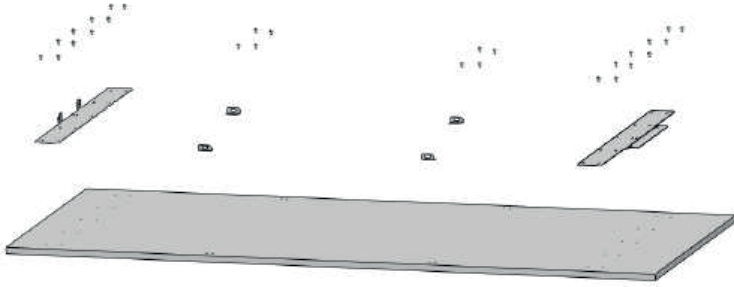
10. قم بمحاذاة الجزء السفلي من الباب وتأمينه باستخدام مفك البراغي الكهربائي والقطعة T25.



11. ثبت زوايا اللوحة باستخدام اثنين (2) من البراغي  $M4 \times 14$  مم + برغي واحد (1) من  $M4 \times 12$  مم.

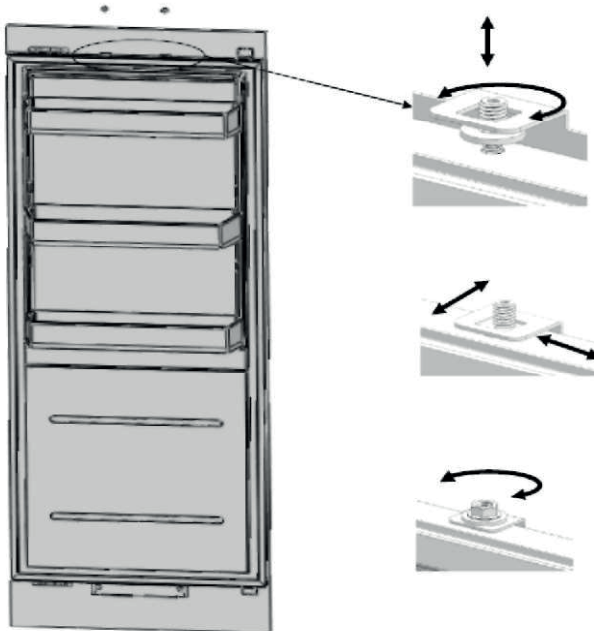


7. قم بتركيب عناصر التثبيت في أعلى وأسفل ألواح الأثاث وقم بتثبيتها ببراعي M4 x 14 مم. يمكنك استخدام النموذج.

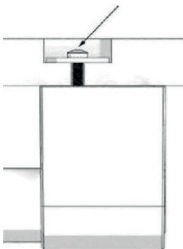
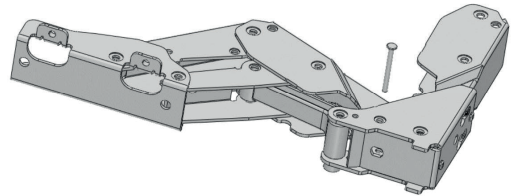
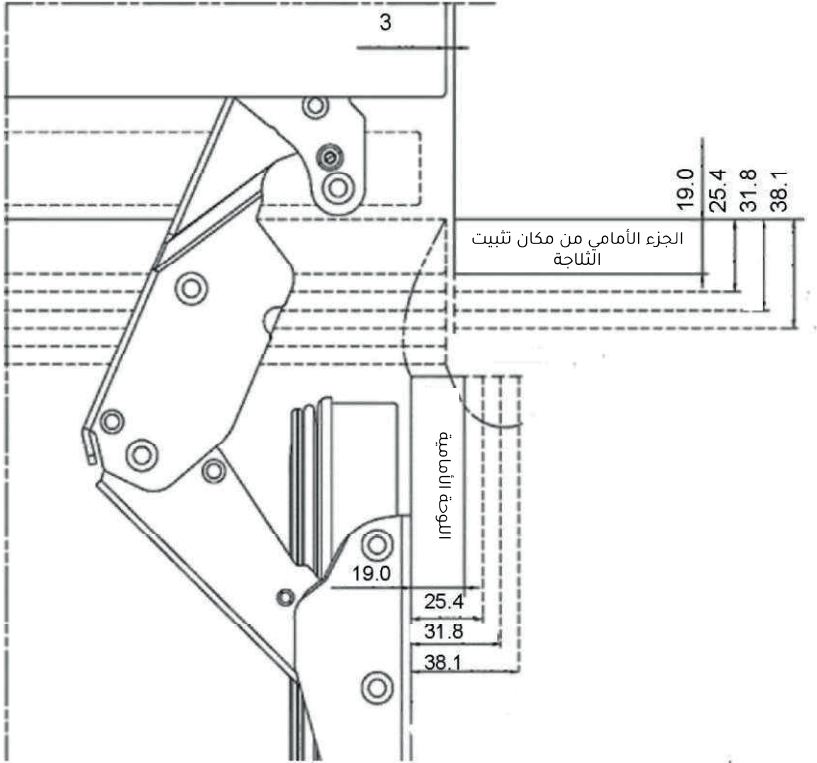


8. قم بمحاذاة لوحة الأثاث مع الباب.

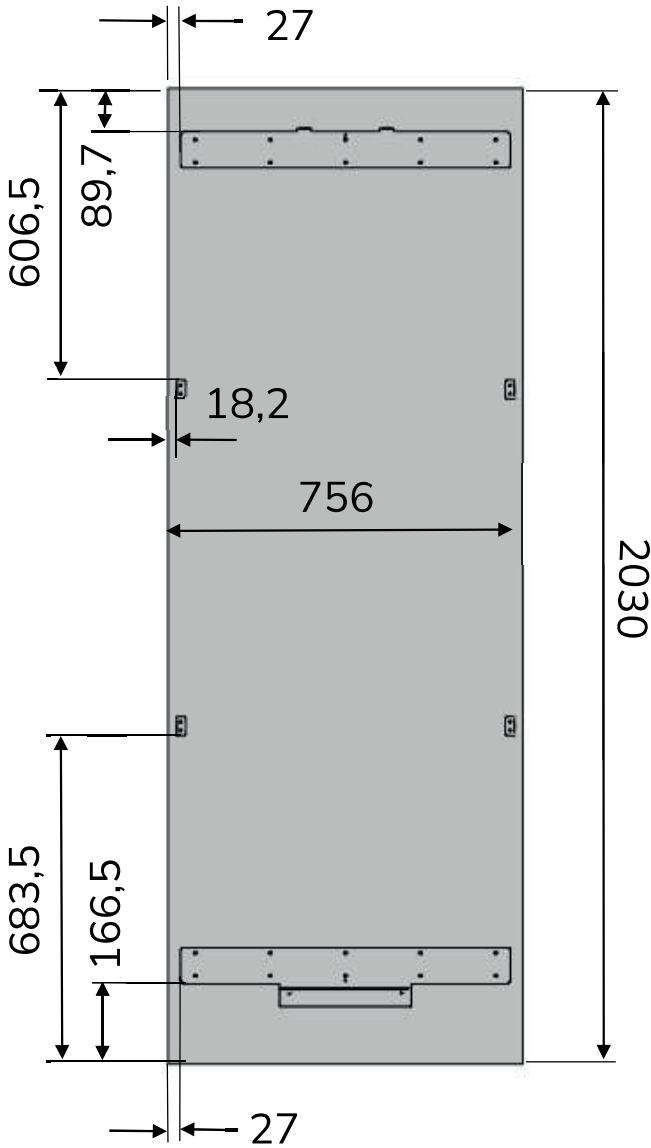
9. قم بمحاذاة الجزء العلوي من اللوحة باستخدام اثنتين (2) من البراغي كما هو موضح في الصورة.



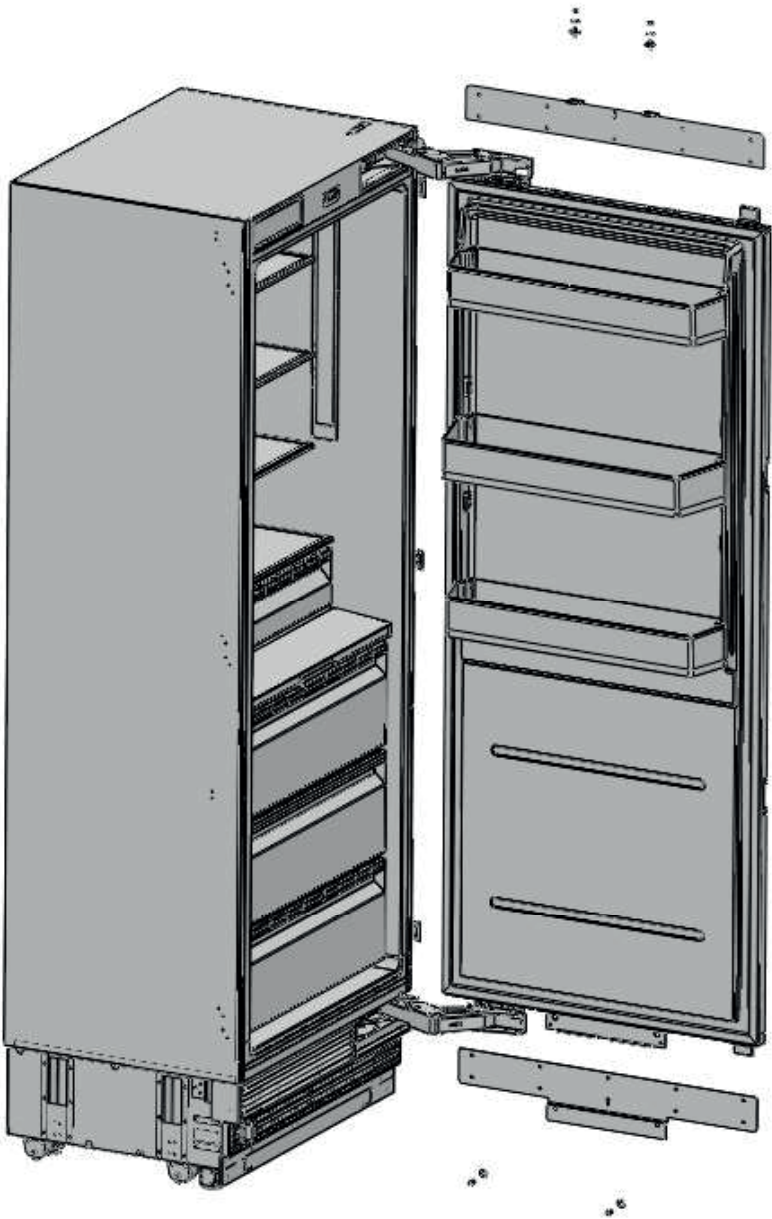
أقصى زاوية لفتح الباب هي 115 درجة. إذا زادت سماكة لوح الأثاث عن 38 مم. فإنه يتعين تركيب محدد على مفصل الباب بحيث لا يفتح أكثر من 90 درجة.



6. قم بتثبيت مقبض الباب وتأمينه باستخدام البرغي. يجب ألا يمتد غطاء البرغي إلى ما بعد تجويف الفتحة المخصص له (انظر الرسم التوضيحي).



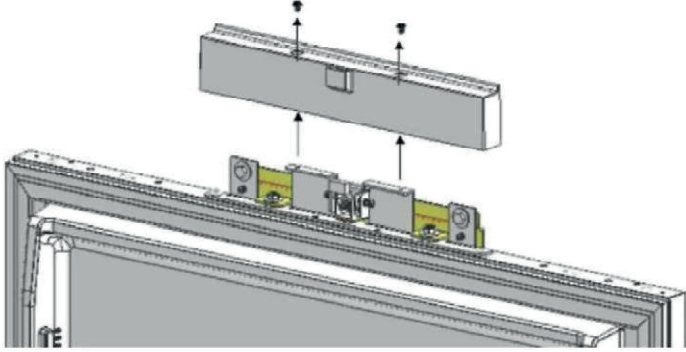
5. فك وانزع عناصر التثبيت من الباب باستخدام مفك براغي كهربائي.





3. فك البرغي من غطاء التثبيت الموجود أعلى الباب باستخدام مفك براغي كهربائي ثم انزع

الأغطية.

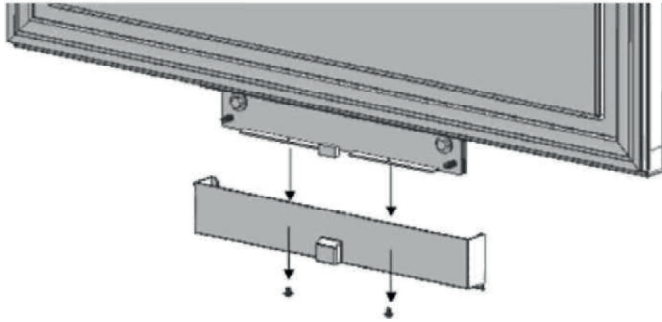


**⚠ انتباه**

يوجد مغناطيس أسفل الغطاء وهو ضروري للتشغيل العادي لآلية الباب. ويمنع إزالته!

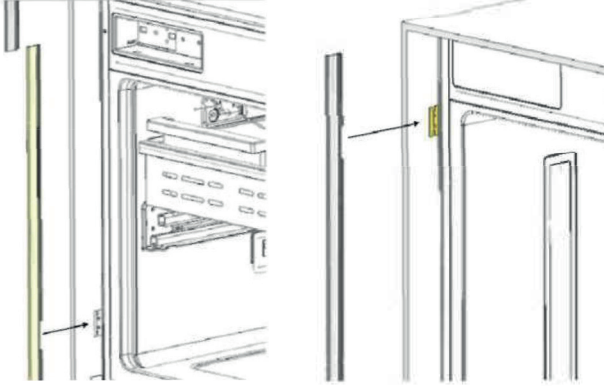
4. قم بإزالة **برغيين (2)** من عناصر التثبيت الموجودة أسفل الباب باستخدام مفك براغي كهربائي

ثم انزع الغطاء.

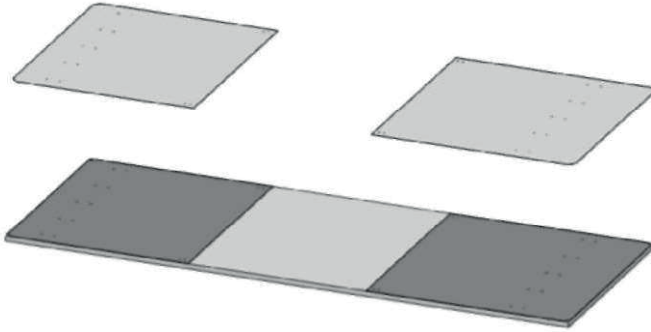


## تركيب شرائط العزل وألواح الأثاث

1. تُثبت شرائط العزل على الجانبين وأعلى الثلاجة. يجب أن تتطابق الفجوات المخصصة لشرائط العزل مع موضع المشابك.

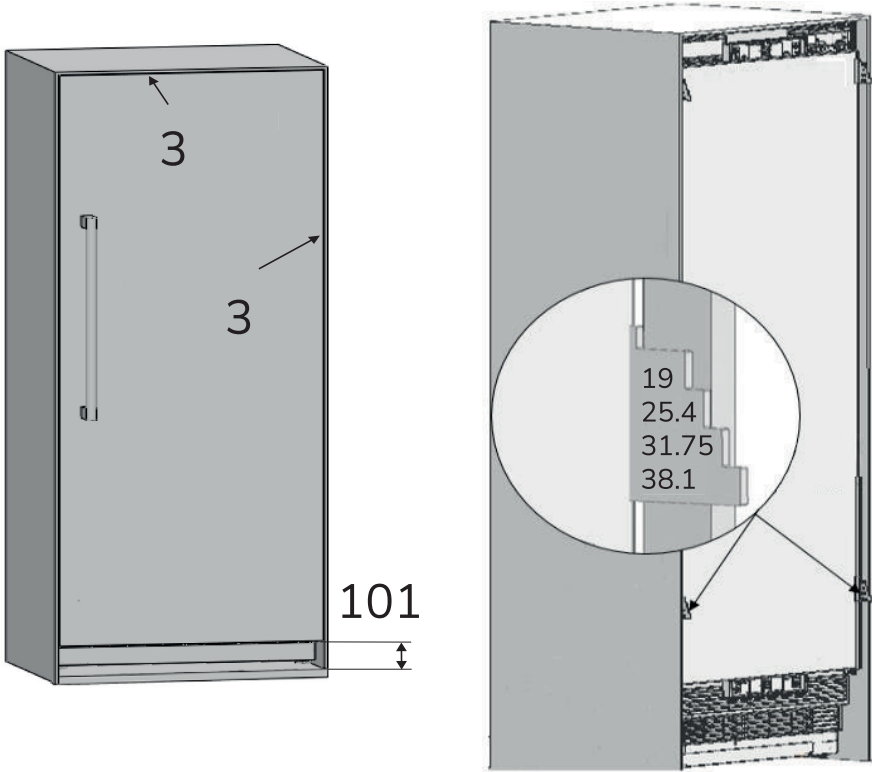


2. باستخدام النموذج الملحق بمجموعة التسليم، ضع علامات على لوحة الأثاث التي سيتم تثبيتها على الجزء الأمامي من الثلاجة.



انتباه 

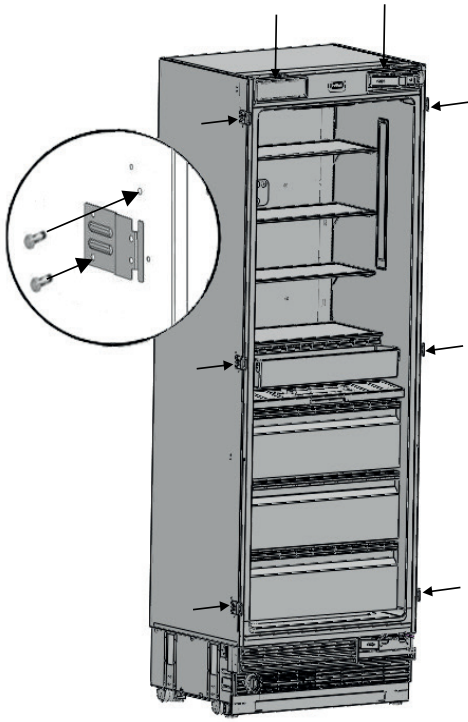
الحد الأقصى لوزن اللوحة - 16.5 كجم.



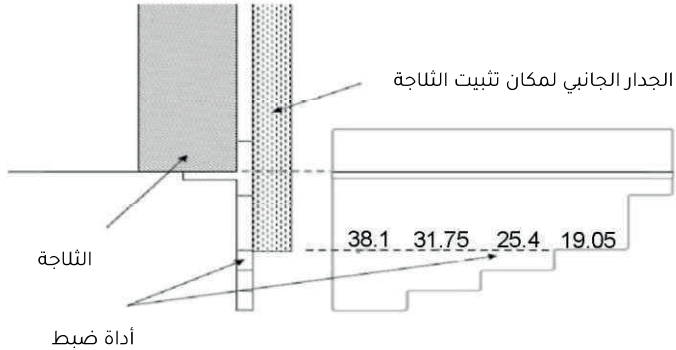
6. ثبت الثلجة بمكان تركيبها باستخدام البراغي **M4 x 14 مم**. في حالة تعذر تركيب البراغي في الفتحات الموجودة في حجرة التبريد في الثلجة، فيمكنك توسيعها بحذر باستخدام المثقاب.
7. أعد تركيب شبكات التهوية في قاعدة الثلجة. إذا احتجت لتثبيت قاعدة زخرفية، فيمكنك تحريك الشبكة السفلية للأمام أو للخلف قليلاً.



يُسمح بإزاحة **23 مم** من الموضع القياسي. يجب ألا تتداخل الأرضية مع الشبكة.



3. قم بوضع مشابك التثبيت (2 في الأعلى و3 على كل من الجدارين الأيسر والأيمن) ومن ثم ثبتها بالبراغي  $12 \times M4$  مم.
4. ادفع الثلاجة بحذر إلى مكان تركيبها. إذا شعرت بمقاومة، فتتحقق من أرجل الثلاجة بحثًا عن ارتخاء بها و من ثم شدتهما.
5. ضع اللوحة الأمامية لـحجرة التجميد مؤقتًا. قم بمحاذاة موضع الثلاجة في مكان تثبيتها:
  - بالنسبة للطرازات التي لا تتوفر فيها لوحات زخرفية، يجب أن تتم محاذاة الجزء الأمامي مع حواف مكان تثبيت الثلاجة.
  - في حالة تركيب ألواح زخرفية على الثلاجة، فاستخدم أداة الضبط المضمنة في مجموعة الثلاجة: فهي ستساعد في محاذاة الثلاجة وفقًا لسماكة الألواح.

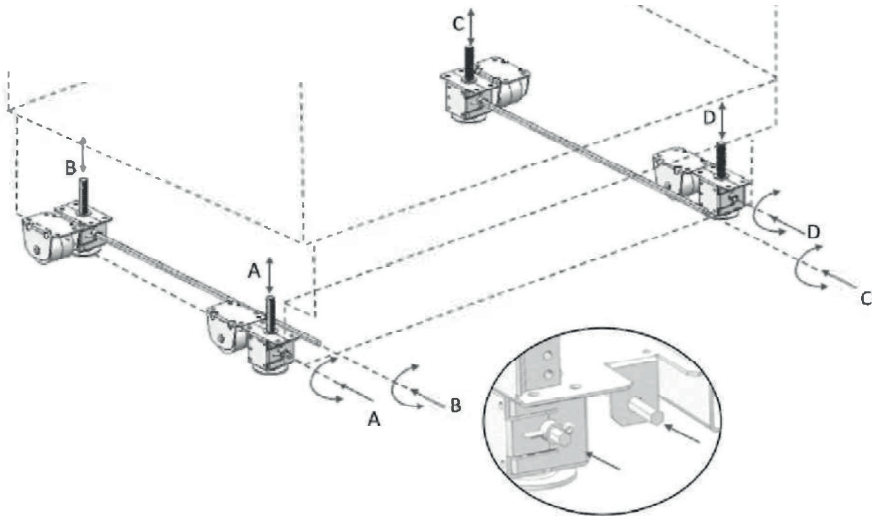


## ضبط ارتفاع أرجل الثلاجة

يمكن تعديل ارتفاع الأرجل في حدود **96-136 مم**. اضبط أرجل الثلاجة باستخدام مفك براغي وريشة

مفك مقاس **¼ بوصة**:

1. ارفع الجزء الأمامي من الثلاجة لمنعها من السقوط أثناء الضبط.
2. لزيادة ارتفاع أرجل الثلاجة، أدر عناصر التثبيت في اتجاه عقارب الساعة، أما لخفض الارتفاع فأدرها بعكس اتجاه عقارب الساعة.



3. بعد الانتهاء من عملية ضبط ارتفاع أرجل الثلاجة تأكد من ثباتها.

## التركيب

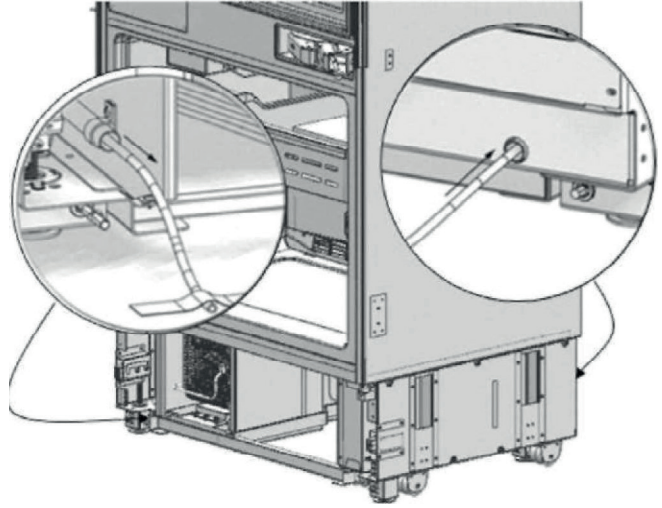
1. لتجنب إتلاف كابل الطاقة أثناء التركيب، يمكنك تعليقه على خطاف أو جبل.
2. قم بتوصيل الثلاجة بمنفذ الطاقة لتشغيل الإضاءة الخلفية والتحقق بهذا الشكل من توصيل الطاقة.

## التوصيل بشبكة امدادات المياه



انتباه

- يجب أن تكون الثلاجة مفصولة عن شبكة الطاقة الكهربائية.  
تأكد من أنه يمكن دائماً قطع امدادات المياه بسرعة أثناء عمل الثلاجة.
1. تحقق من امدادات المياه، ثم اقطعها.
  2. أدخل الخرطوم في المنفذ الموجود في الجزء الخلفي من قاعدة الثلاجة.

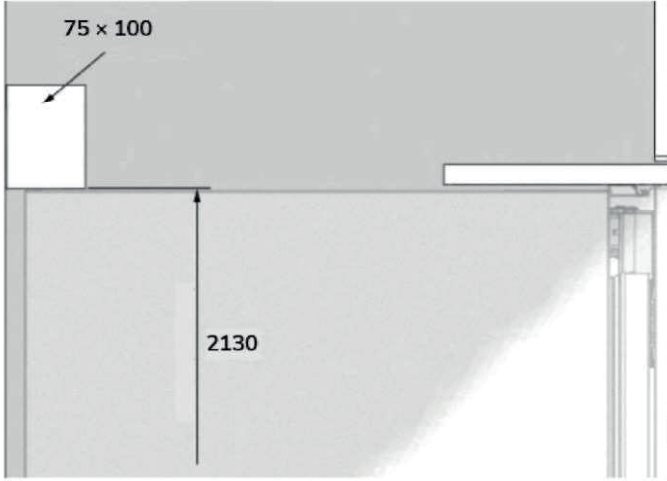


3. اقطع خرطوم الماء بسكين قرطاسية بحيث يكون طوله 25 سم.
4. قم بتوصيل خرطوم الثلاجة بأنبوب الماء. لا تستخدم أنابيب التمديد!
5. أحكم ربط الوصلة باستخدام مفتاح ربط **مقاس ½ بوصة**.
6. افتح صنبور إمداد الماء وتأكد من تدفقه إلى الجهاز بضغط كافٍ وبدون تسريبات.

إذا لم تكن متأكدًا من أن التثبيت آمن بدرجة كافية، فاستخدم طريقة التثبيت التالية.

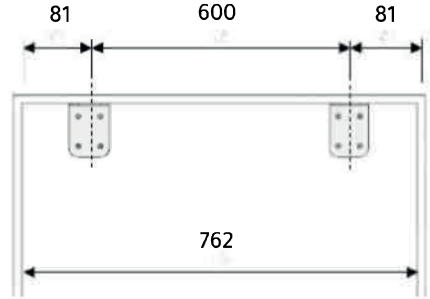
## التثبيت باستخدام العوارض

- يجب أن تلتصق العوارض بشكل وثيق بالثلاجة، ولكن يجب ألا يتجاوز عرض سطح التلامس **50.8 مم**.
- الحد الأدنى لأبعاد للعارضة: **100 × 75 مم**. يعتمد ارتفاع العارضة على المسافة بين الجزء العلوي من الثلاجة والجزء العلوي من مكان تركيبها.

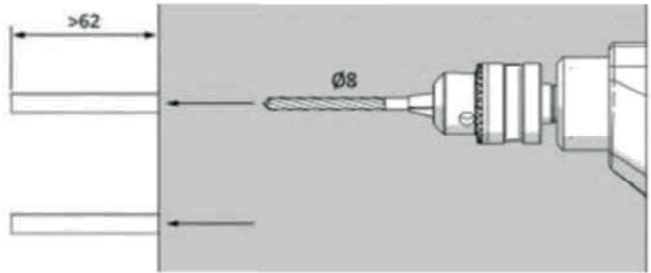


1. اختر البراغي المناسبة لتثبيت العوارض.
2. ضع علامات للعوارض على الحائط.
3. ثبت العوارض بالبراغي.

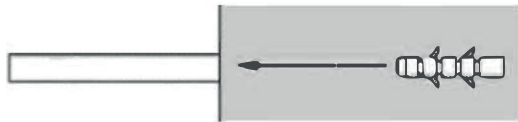
3. استخدم شريط قياس لوضع علامات لمشابك التثبيت على الحائط (انظر الرسم التوضيحي).



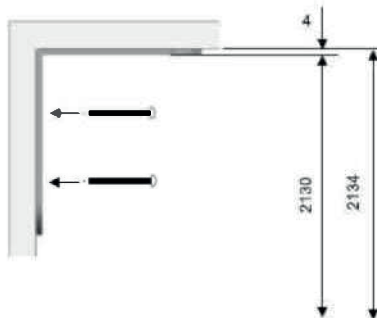
4. باستخدام مثقاب وريشة ثقب مقاس 8 مم، قم بعمل ثقوب للمسامير حسب العلامات الموجودة في الخطوة 3.



5. استخدم مطرقة لتثبيت المسامير في الحائط.



6. ثبت كل مشبك بالحائط باستخدام 4 براغي.



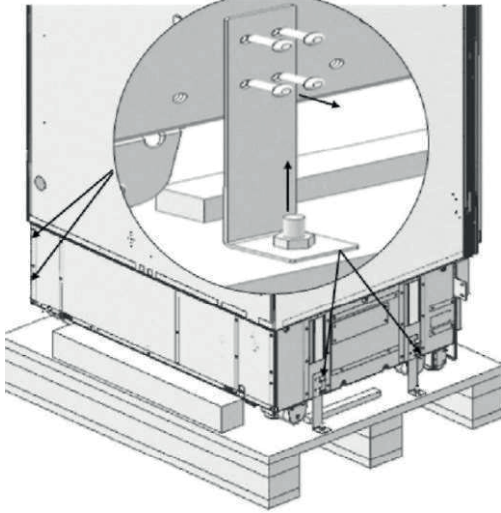




تحذير

الثاجة ثقيلة جدًا ولا يمكنك حملها وحدك دون مساعدة شخص آخر!

2. انزع مشبك التثبيت الموجود في قاعدة الثاجة والتي تثبته على المنصة باستخدام مفك البراغي الكهربائي وريشة مفك متصالبة.



3. قم بإزالة الجهاز بحذر واستخدم عربة لنقله من منصة التحميل ووضعه على الأرض.

## التركيب والتوصيل

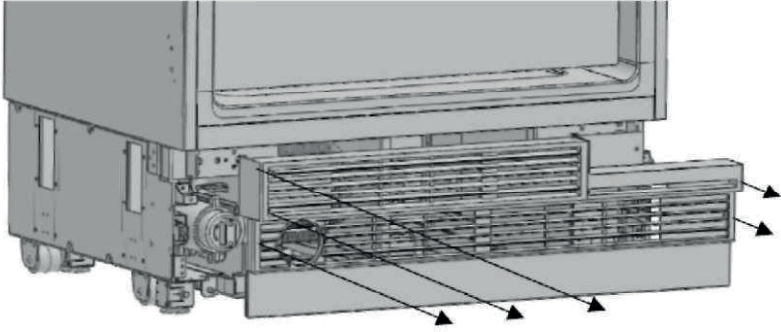
يرجى اتباع التعليمات الواردة في هذا الدليل بدقة. ويوصى أيضًا بمراجعة لوائح الخدمة الفنية المحلية والوطنية.

## تركيب مشابك التثبيت على الحائط

1. تأكد من عدم وجود أسلاك كهربائية أو أنابيب مياه في المنطقة التي تم تركيب مشابك التثبيت.
2. ارتد نظارات وقفازات واقية.

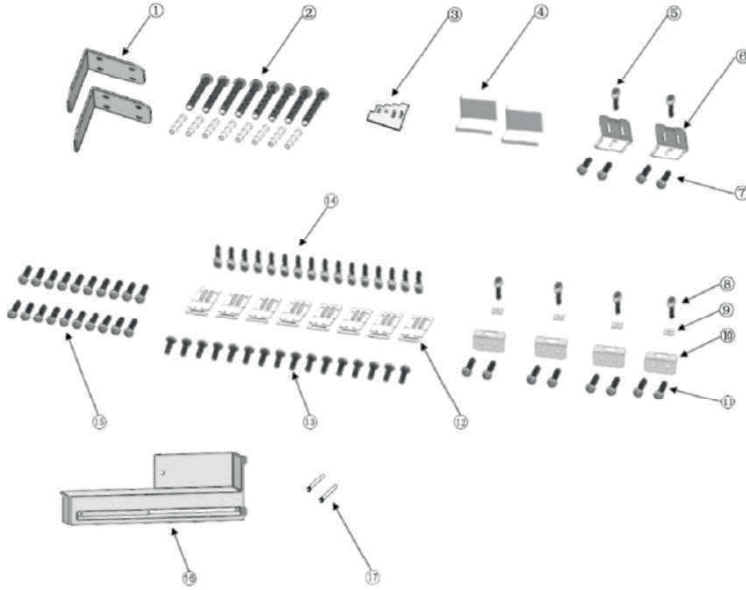
## إعداد قاعدة الثلاجة

1. باستخدام مفك البراغي الكهربائي، فك البراغي الخمسة (5) من شبكة التهوية لإزالتها من مكانها.



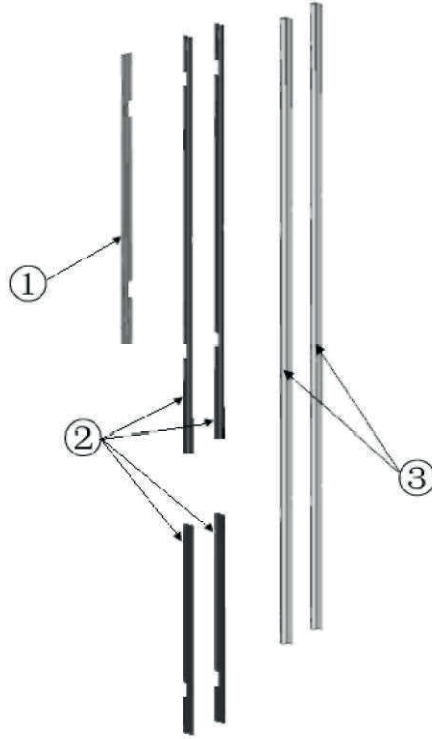
# التحضير لعملية التركيب

4. أخرج مجموعة التثبيت من حجرة التجميد وتأكد من اكتمالها وسلامتها:



الرقم	النوع	الخصائص	الكمية
1	مشابك تثبيت	T4.0، طلاء من الزنك والكروم	8
2	براغي ومسامير لمشابك التثبيت	M8 × 60 مم	8
3	أداة ضبط	بولي ستايرين	1
4	بطانة مشبك لوحة الأثاث	بلاستيك أكريلونتريل بوتادين ستايرين (ABS)	2
5	براغي ذات حلقة	M4 × 12 مم	2
6	مشابك تثبيت لوحة الأثاث	T1.0، طلاء من الزنك والكروم	2
7	براغي غاطسة	M4 × 14 مم	4
8	براغي ذات حلقة	M4 × 12 مم	4
9	صفحة عازلة	T1.0، طلاء من الزنك والكروم	4
10	مشبك تثبيت مركزي	T1.0، طلاء من الزنك والكروم	4
11	براغي غاطسة	M4 × 14 مم	8
12	مشبك تثبيت للتجفيف	T1.0، طلاء من الزنك والكروم	8
13	براغي غاطسة	M4 × 14 مم	16
14	براغي ذات حلقة	M4 × 12 مم	16
15	براغي غاطسة	M4 × 14 مم	20
16	عنصر تثبيت لشبكة التهوية	بلاستيك أكريلونتريل بوتادين ستايرين (ABS)	1
17	محدد توقف للباب	القطر (Ø4) مم	2

3. انزع شرائط العزل المثبتة على الجدار الخلفي للثلاجة وتأكد من اكتمالها وسلامتها:



الرقم	النوع	الخصائص	الكمية
1	بطانة للجزء العلوي من التجويف	بولي كلوريد الفينيل، الطول 762 مم	1
2	بطانة جانبية للتجويف	بولي كلوريد الفينيل، الطول 1259 مم بولي كلوريد الفينيل، الطول 617 مم	2 2
3	غطاء جانبي للباب	بولي كلوريد الفينيل، الطول 1781 مم	2

## التحضير لعملية التركيب

### الإخراج من علبة التغليف

1. قص علبة التغليف على طول الخط المنقط بسكين قرطاسية.
2. انزع علبة التغليف وعوازل التعبئة.



تحذير

للحفاظ على سلامتك، مینع إزالة الشريط الواقي من الباب العلوي للثاجة حتى تقوم بتثبيت الثاجة في المكان المخصص لها.

## المتطلبات الخاصة بالأثاث

- يجب أن تكون الخزانة التي سيتم تركيب الثلاجة فيها ثابتة على الأرض.
- يجب أن تكون جدران الخزانة التي سيتم تركيب الثلاجة فيها مستوية **ولا يقل سمكها عن 16 مم**. استخدم مستوى لضبط التوازن.
- الحد الأدنى لسمك لوحة الأثاث الزخرفية التي سيتم تركيبها على أبواب الثلاجة هو **19 مم**.
- من الضروري ترك فجوات حول الثلاجة للتهوية.
- أبعاد منافذ تركيب الثلاجة محددة في الجدول أدناه. يعتمد ارتفاع الثلاجة على مقدار ضبط الأرجل، والطول القياسي هو 2134 مم.

الارتفاع	2129-2169 مم
العرض	762 مم
العمق	635 مم

- إذا كان مصدر المياه ومنفذ الطاقة الكهربائية موجودين إلى جانب الثلاجة، فقم بعمل ثقوب في جدران مكان تثبيت الثلاجة بارتفاع **203.2 مم** وعرض **50.8 مم** لخرطوم المياه وكابل الطاقة.

## قائمة الأدوات اللازمة لعملية التركيب والتوصيل

- |                                       |   |
|---------------------------------------|---|
| <input type="checkbox"/> مطرقة        | <input type="checkbox"/> مثقاب يعمل بالبطارية/مفط براغي كهربائي |
| <input type="checkbox"/> مستوى        | <input type="checkbox"/> ريشة مفك متصالية                       |
| <input type="checkbox"/> شريط قياس    | <input type="checkbox"/> ريشة ثقب بقطر <b>8 مم</b>              |
| <input type="checkbox"/> سكين قرطاسية | <input type="checkbox"/> ريشة مفك <b>T27</b>                    |
| <input type="checkbox"/> قفازات واقية | <input type="checkbox"/> ريشة مفك <b>T25</b>                    |
| <input type="checkbox"/> نظارات واقية | <input type="checkbox"/> ريشة مفك مقاس <b>¼ بوصة</b>            |
| <input type="checkbox"/> سُلّم        | <input type="checkbox"/> مفتاح ربط مقاس <b>½ بوصة</b>           |
| <input type="checkbox"/> عربة         | <input type="checkbox"/> ريشة ثقب بقطر <b>2.4 مم</b>            |

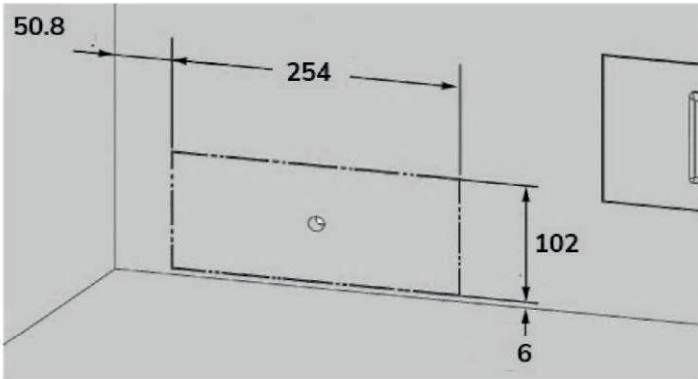
# التحضير لعملية التركيب

## المتطلبات الخاصة بشبكة إمدادات المياه

- يتم توصيل الثلاجة بمصدر للمياه الباردة (0.6-38 درجة مئوية).
- ضغط الماء - **1.7-5.5 بار**. إذا كان من المحتمل أن يكون الضغط في نظام إمدادات المياه المنزلية أعلى، فيجب تركيب صمام تخفيف الضغط. أما إذا كان الضغط أقل، فيمكن استخدام مضخة إضافية.

## ⚠ انتباه

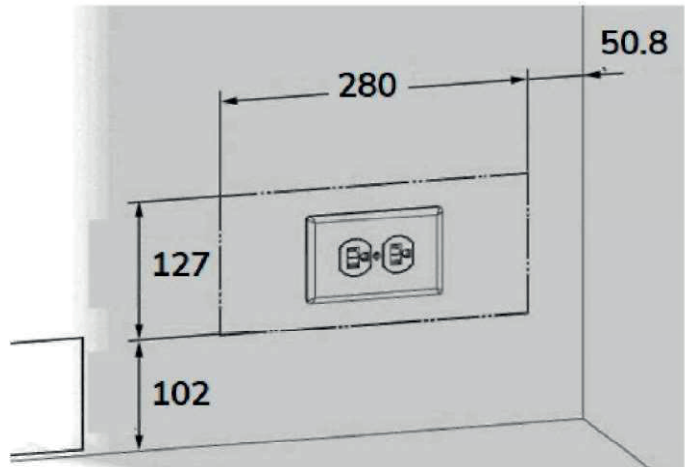
- يحظر توصيل الثلاجة بنظام إمداد المياه حيث يمكن أن يتجاوز الضغط **5.5 بار**.
- طول الخرطوم - **1.5 متر**. القطر - **¼ بوصة**.
- يجب توصيل الثلاجة فقط بمياه صالحة للشرب (المياه المفلترة بالفعل).
- يوصى باستخدام صمام تصريف للترشيح من خلال نظام التناضح العكسي.
- يجب أن يكون الوصول لمصدر امدادات المياه متاحًا دائمًا بحيث يمكن إغلاقه بسهولة في حالات الطوارئ.
- يجب وضع الخرطوم بحيث لا يلمس الأسطح والعناصر التي قد تتسبب بالضغط عليه أو تلفه.
- بعد الانتهاء من عملية التوصيل، يجب التأكد من أن جميع التوصيلات محكمة الغلق ولا يوجد تسريبات.
- يشار إلى الموضع الصحيح لمصدر امدادات المياه في المخطط أدناه.



- يمنع تركيب الثلاجة على منصة أو على أي أماكن أخرى مرتفعة. ويجب أن تكون قائمة على الأرض.
- يمنع وضع عدة ثلاجات على مقربة من بعضها البعض أو بالقرب من مصادر الحرارة مثل الأفران أو السخانات. الحد الأدنى للمسافة الآمنة عن مصادر الحرارة الكهربائية هو **3 سم**. ومن مصادر حرارة الغاز (الوقود) - **30 سم**.
- يجب أن تبقى درجة حرارة الغرفة في حدود **13-43 درجة مئوية**.
- يجب أن تكون الغرفة جافة ونظيفة دائماً.
- يمنع حدوث أي تلامس بين سلك الطاقة الكهربائية بالجدار الخلفي للثلاجة.
- إذا كان منفذ الطاقة الكهربائية موجوداً خلف الثلاجة، فاترك مسافة كافية بينهما لتجنب الضغط على سلك الطاقة الكهربائية.
- بعد الانتهاء من عملية التثبيت، يجب أن فتح باب الثلاجة بزاوية **90 درجة** على الأقل.

## المتطلبات الخاصة بشبكة الطاقة الكهربائية

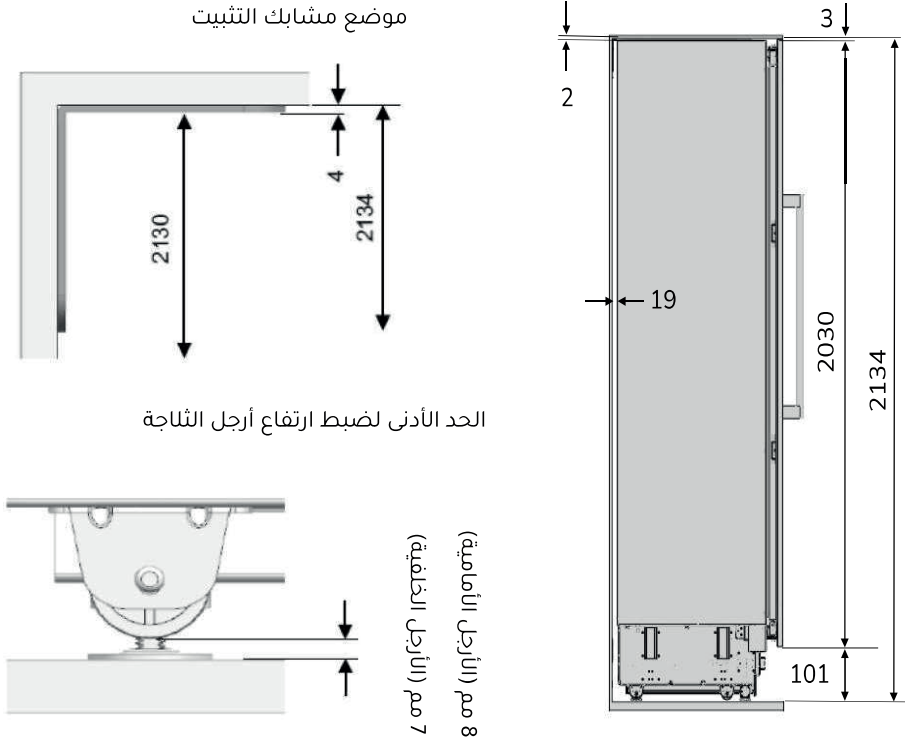
- جهد التيار الكهربائي - **220-240 فولت**، التردد - **50-60 هرتز**.
- قم بتوصيل الثلاجة بمنفذ طاقة مؤرض.
- يمنع استخدام المحولات أو أسلاك التمديد.
- يظهر الموضع الصحيح لمنفذ الطاقة في المخطط أدناه.





## رسم تخطيطي للثاجة في الموقع المخصص لتثبيتها

تحدد قيمة قياسية للارتفاع. ويمكن تغييرها عن طريق ضبط أرجل الثاجة. في هذا القسم والأقسام اللاحقة يشار إلى الأبعاد في المليمتر. وتكون الأبعاد في المخططات والرسومات تصميمية فقط وقد تختلف عن الأبعاد الفعلية.



## متطلبات موقع التثبيت

- يمنع تثبيت الثاجة في الهواء الطلق.
- يجب أن تتحمل الأرضية الموجودة أسفل الجهاز حمولة **لا تقل عن 544 كجم** وأن تكون مستوية. واستخدم المستوى عند التثبيت.

## إرشادات التركيب والتوصيل

يجب أن يقوم بعملية التركيب والتوصيل متخصص مؤهل. ستكون هناك حاجة لاستخدام نظارات وقفازات واقية لتنفيذ هذا العمل.



يحتوي نظام التبريد في الجهاز على مادة التبريد R600a، والتي قد تشتعل في حالة التعامل الخاطئ مع الثلجة. ثبت الثلجة في وضع عمودي وانتظر لمدة **4-6 ساعات على الأقل** قبل توصيلها بمنفذ الطاقة الكهربائية. ويعتبر هذا الأمر مهمًا بشكل خاص في حالة جرى نقل الجهاز بشكل أفقي.

اقرأ التعليمات بعناية قبل البدء بعملية التركيب.

- أن يكون مكان التثبيت ذو أبعاد مناسبة.
- سيتم الحفاظ على التجاوب المخصصة للتهوية حول الثلجة.
- يجب أن تتوافق معلمات الشبكة الكهربائية وأنايب إمدادات المياه مع تلك المحددة في هذا الدليل.
- أثناء التركيب والتشغيل، سيكون من الممكن دائمًا قطع إمداد الجهاز بالكهرباء والماء بسرعة في حالات الطوارئ.
- المنفذ الذي تتصل به الثلجة مؤرض بشكل صحيح.

### أبعاد

الارتفاع	2123 مم
العرض	756 مم
العمق	592 مم

166 .....	إرشادات التركيب والتوصيل
163 .....	التحضير لعملية التركيب
157 .....	التركيب والتوصيل
141 .....	تغيير جهة فتح الباب



MILLEN

دليل المستخدم

MBI470SDMaxPro

AR ثلاجة



Made in China